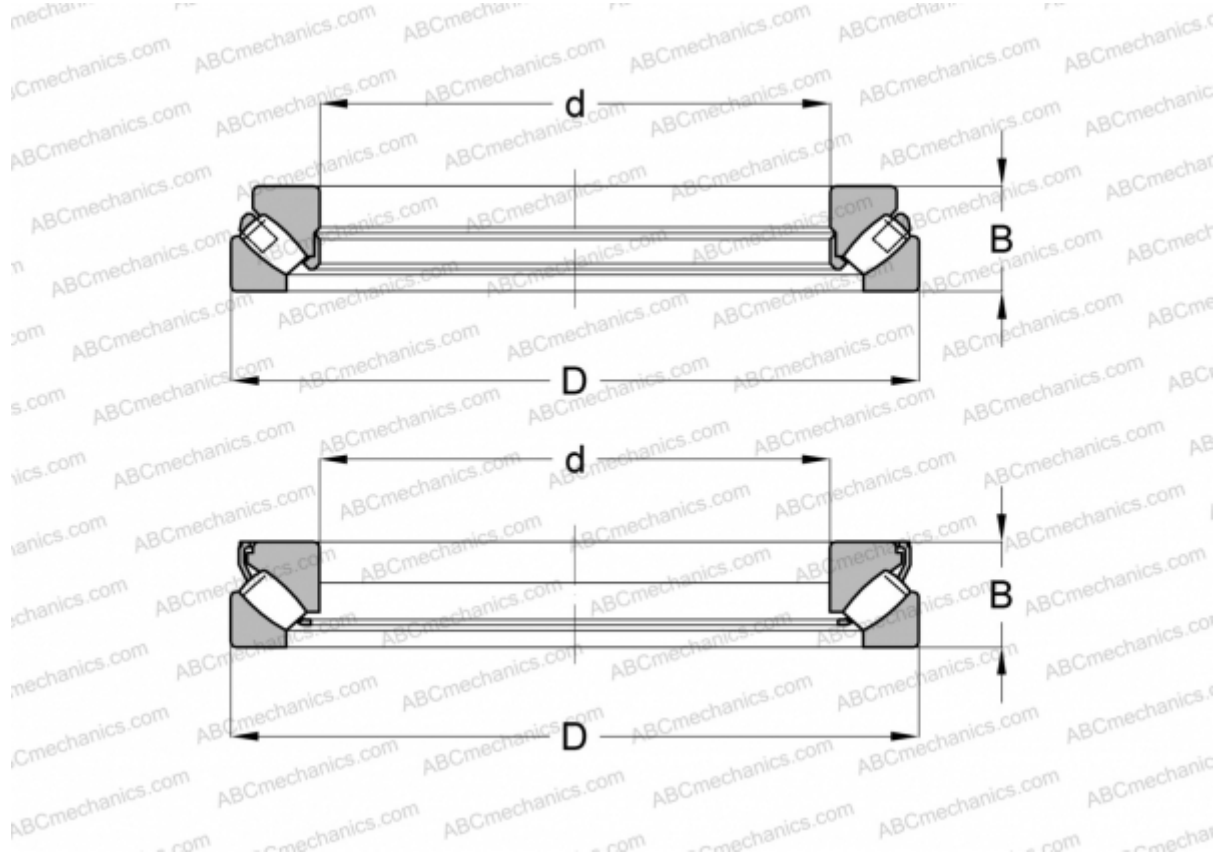


29364 E.MB FAG

Spherical roller thrust bearings

TYPE: Roller bearings, Thrust roller bearing, Axial spherical



Technical specification

DIMENSIONS, MM

| | |
|---|---------|
| d | 320,000 |
| D | 500,000 |
| B | 109,000 |

WEIGHT, KG 79,379

MANUFACTURER [FAG](#)

INTERCHANGE

| | |
|------------|--------------------------|
| ABC | 29364E M |
| SKF | 29364 E |
| TORRINGTON | 29364 |