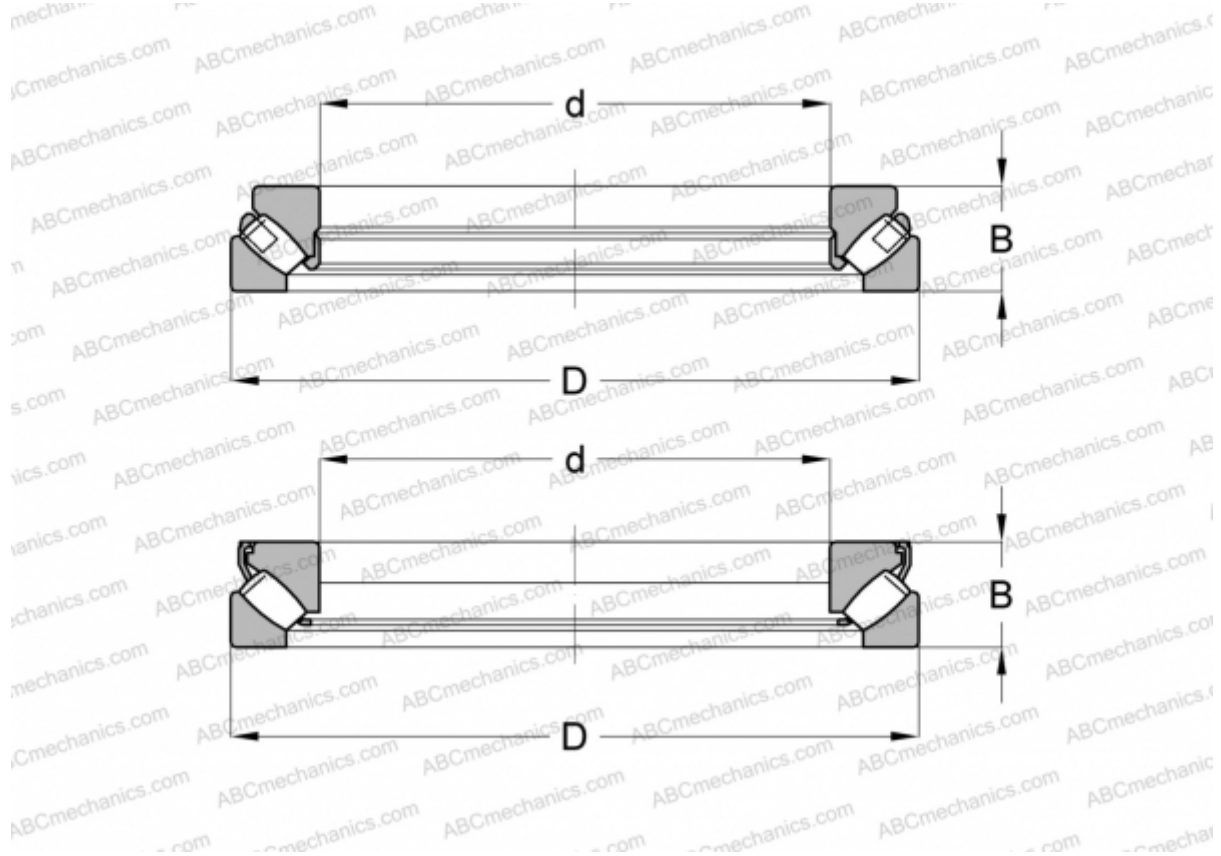


29464 E.MB FAG

Spherical roller thrust bearings

TYPE: Roller bearings, Thrust roller bearing, Axial spherical



Technical specification

DIMENSIONS, MM

d	320,000
D	580,000
B	155,000

WEIGHT, KG 162,840

MANUFACTURER [FAG](#)

INTERCHANGE

ABC	29464E M
SKF	29464 E