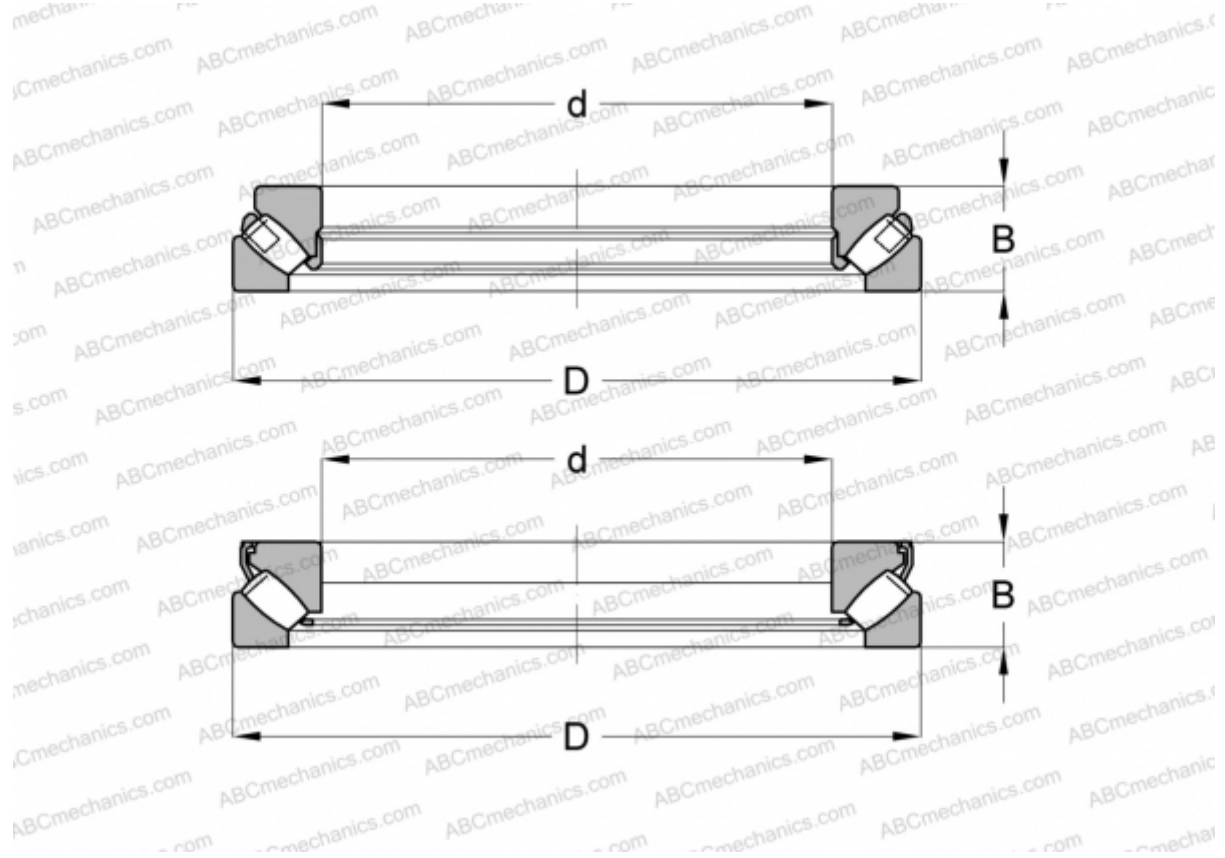


29464 E SKF

Spherical roller thrust bearings

TYPE: Roller bearings, Thrust roller bearing, Axial spherical



Technical specification

DIMENSIONS, MM

d	320,000
D	580,000
B	155,000

WEIGHT, KG 175,000

MANUFACTURER [SKF](#)

INTERCHANGE

ABC	29464E M
FAG	29464 E.MB

CALCULATION DATA

Basic dynamic load rating, C	4950,000 kN
Basic static load rating, Co	19000,000 kN
Fatigue load limit, Pu	1530,000 kN
Reference speed	560 r/min

CALCULATION DATA

Limiting speed	1100 r/min
----------------	------------