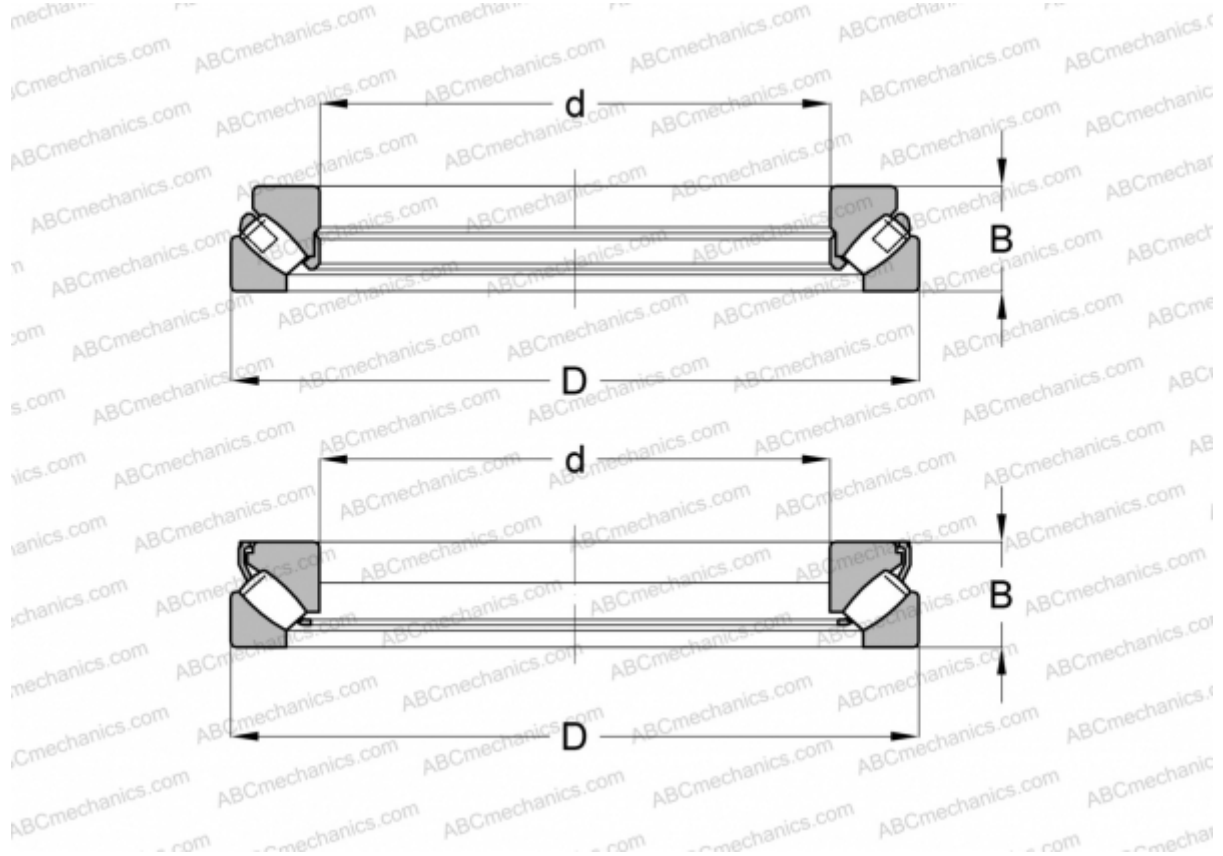


29368E M ABC

Spherical roller thrust bearings

TYPE: Roller bearings, Thrust roller bearing, Axial spherical



Technical specification

DIMENSIONS, MM

d	340,000
D	540,000
B	122,000

WEIGHT, KG 106,141

MANUFACTURER [ABC](#)

INTERCHANGE

FAG	29368 E.MB
SKF	29368