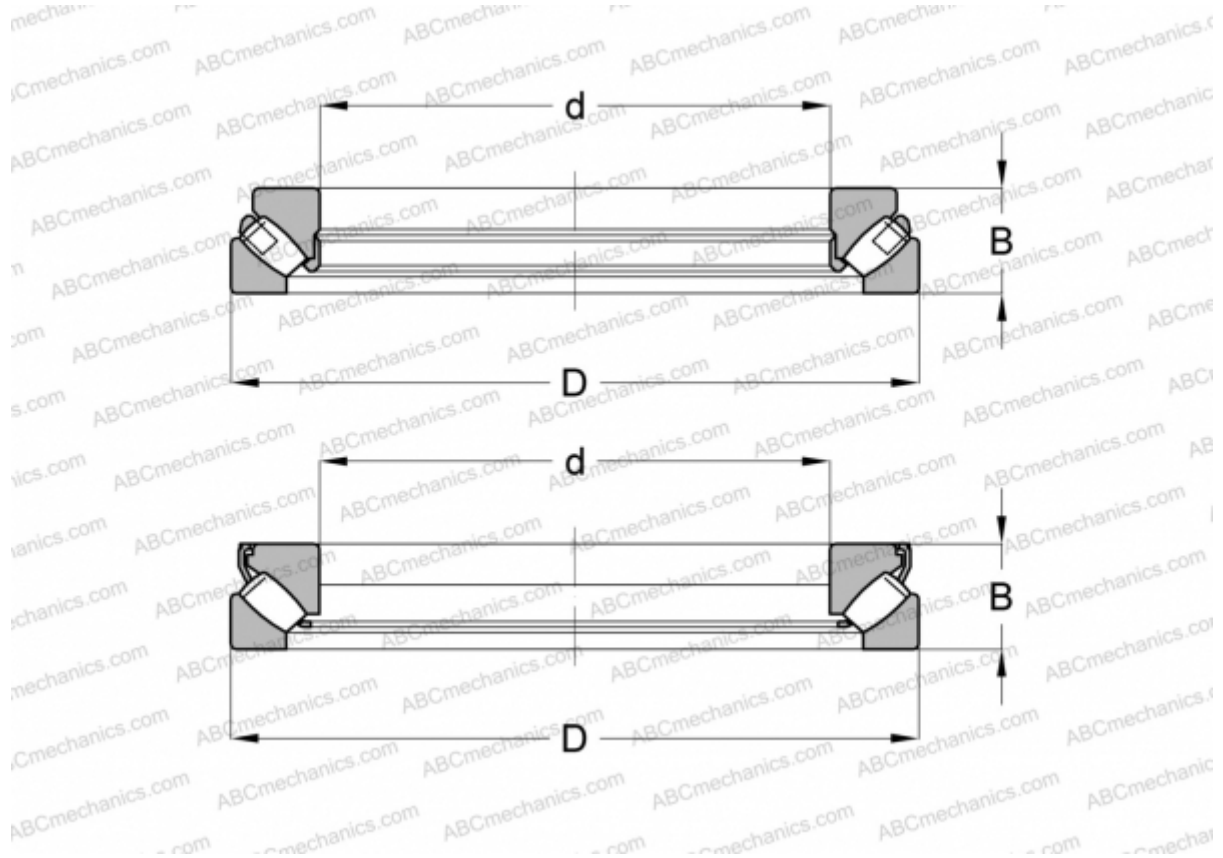


29368 SKF

Spherical roller thrust bearings

TYPE: Roller bearings, Thrust roller bearing, Axial spherical



Technical specification

DIMENSIONS, MM

d	340,000
D	540,000
B	122,000

WEIGHT, KG 105,000

MANUFACTURER [SKF](#)

INTERCHANGE

ABC	29368E M
FAG	29368 E.MB

CALCULATION DATA

Basic dynamic load rating, C	2710,000 kN
Basic static load rating, Co	11000,000 kN
Fatigue load limit, Pu	950,000 kN
Reference speed	600 r/min

CALCULATION DATA

Limiting speed	1100 r/min
----------------	------------