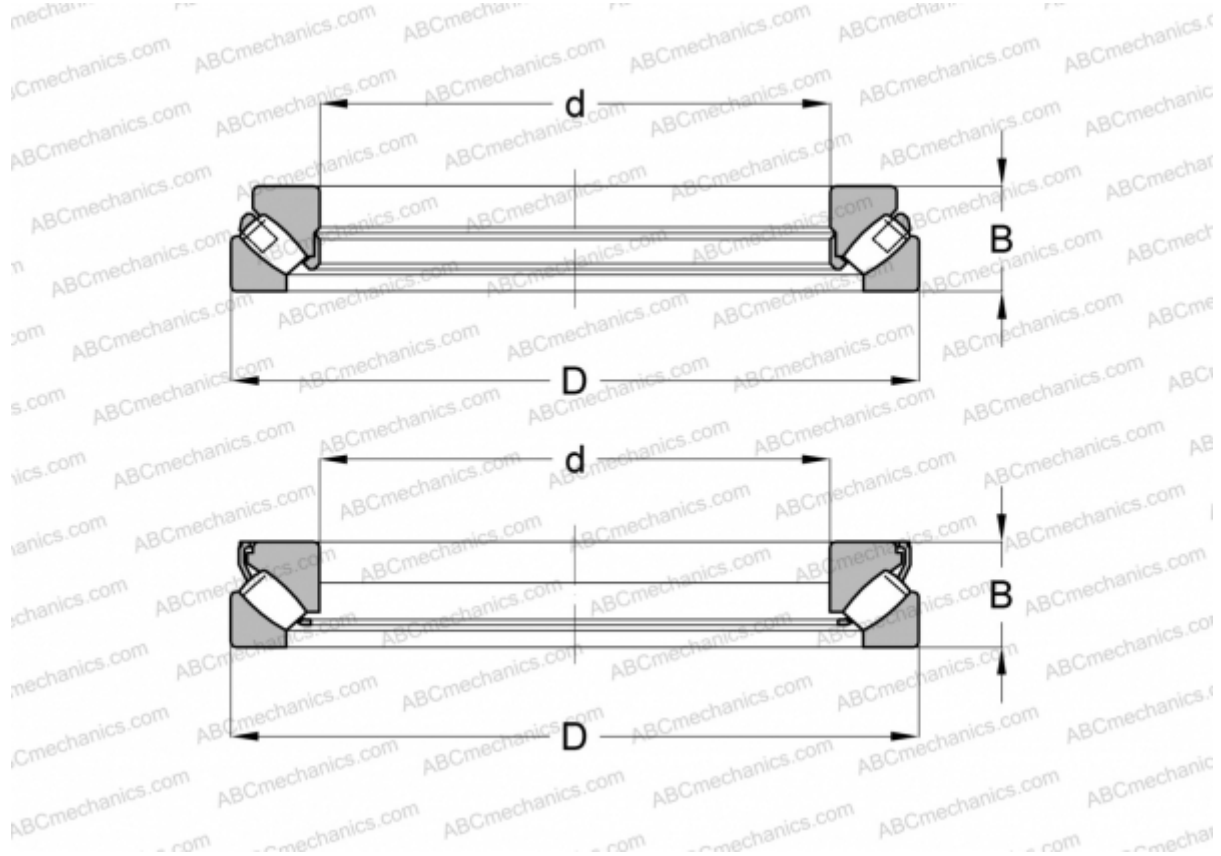


29372 E.MB FAG

Spherical roller thrust bearings

TYPE: Roller bearings, Thrust roller bearing, Axial spherical



Technical specification

DIMENSIONS, MM

d	360,000
D	560,000
B	122,000

WEIGHT, KG 111,130

MANUFACTURER [FAG](#)

INTERCHANGE

ABC	29372E M
SKF	29372
TORRINGTON	29372