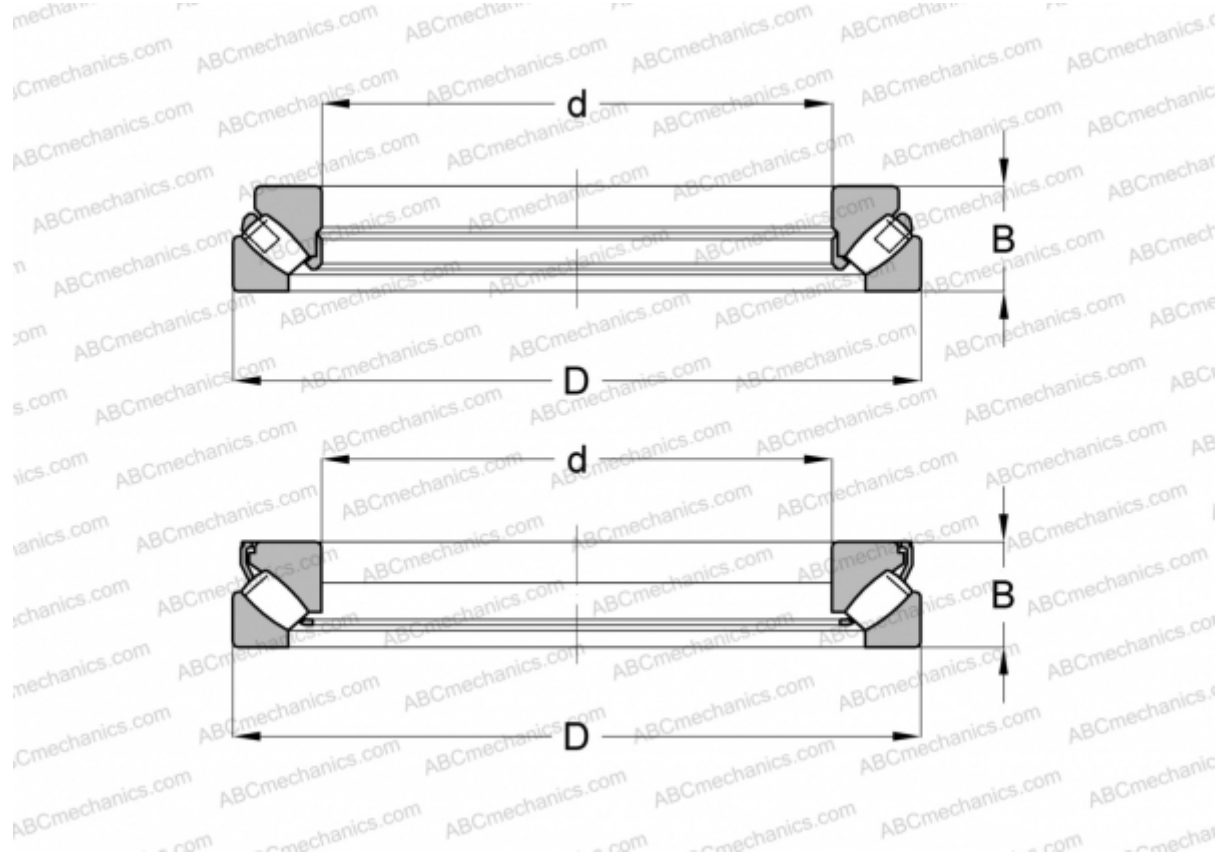


29472 EM SKF

Spherical roller thrust bearings

TYPE: Roller bearings, Thrust roller bearing, Axial spherical



Technical specification

DIMENSIONS, MM

d	360,000
D	640,000
B	170,000

WEIGHT, KG 230,000

MANUFACTURER [SKF](#)

INTERCHANGE

ABC	29472E M
FAG	29472 E.MB

CALCULATION DATA

Basic dynamic load rating, C	5350,000 kN
Basic static load rating, Co	21200,000 kN
Fatigue load limit, Pu	1630,000 kN
Reference speed	500 r/min

CALCULATION DATA

Limiting speed	950 r/min
----------------	-----------