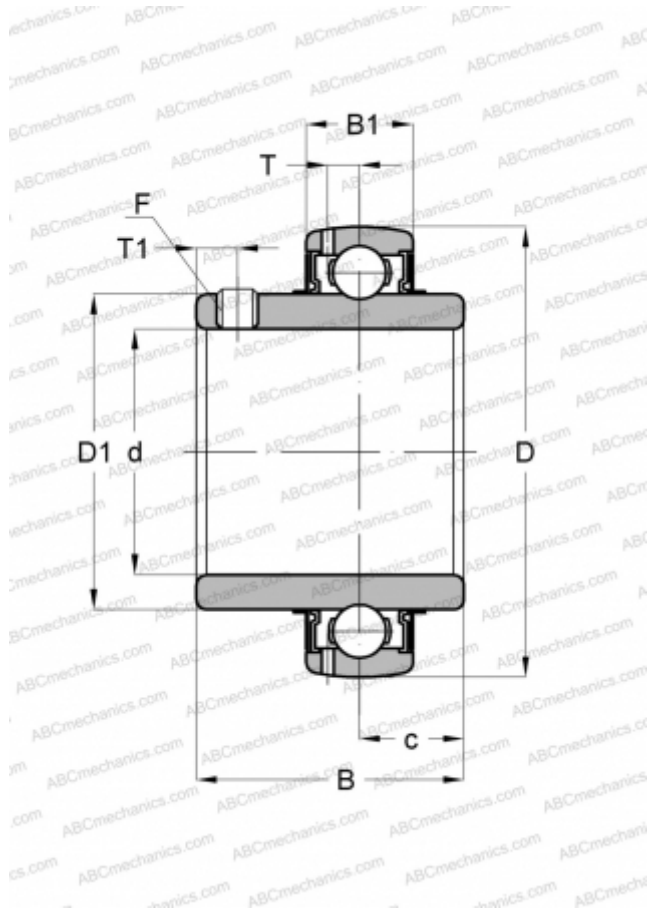


E2.YAR 206-2F SKF

Insert bearings

TYPE: Ball bearings, Radial insert bearings, Grub screw to inner ring, Spherical outer ring, Series YAR, Energy Efficient bearing, NBR contact seal and additional plain flinger on both sides (SKF)



Technical specification

DIMENSIONS, MM

d	30,000
D	62,000
D1	39,700
B	38,100
C	18,000

MANUFACTURER

[SKF](#)

CALCULATION DATA

Basic dynamic load rating, C	19,500 kN
Basic static load rating, Co	11,200 kN
Fatigue load limit, Pu	0,475 kN
Limiting speed	6300 r/min