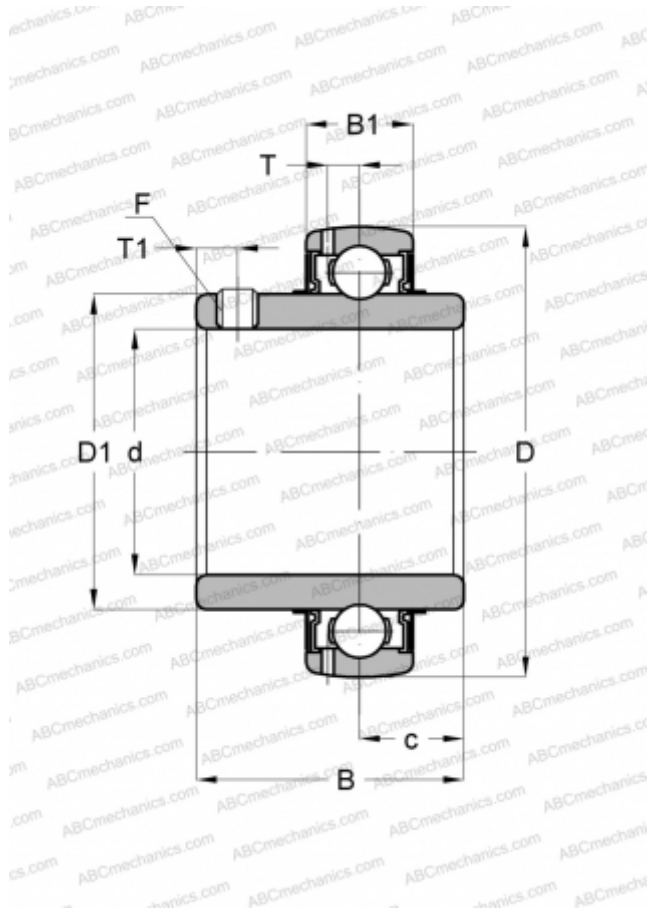


## YARAG 204 SKF

Insert bearings

TYPE: Ball bearings, Radial insert bearings, Grub screw to inner ring, Spherical outer ring, Series YARAG, for agricultural applications (SKF)



### Technical specification

#### DIMENSIONS, MM

d	20,000
D	47,000
D1	28,200
B	31,000
C	14,000

**WEIGHT, KG** 0,150

**MANUFACTURER** [SKF](#)

#### CALCULATION DATA

Basic dynamic load rating, C	12,700 kN
Basic static load rating, Co	6,550 kN
Fatigue load limit, Pu	0,280 kN
Limiting speed	1800 r/min