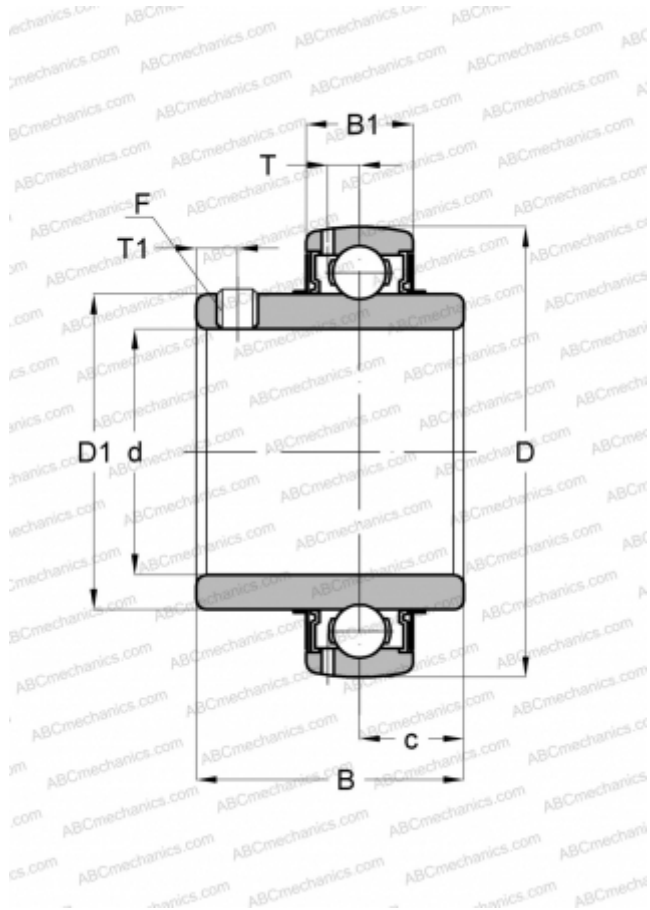


YAR 207-2RF/VE495 SKF

Insert bearings

TYPE: Ball bearings, Radial insert bearings, Grub screw to inner ring, Spherical outer ring, Series YAR, NBR contact seal and additional rubberized flinger on both sides, zinc-coated inner and outer rings (SKF)



Technical specification

DIMENSIONS, MM

| | |
|----|--------|
| d | 35,000 |
| D | 72,000 |
| D1 | 46,100 |
| B | 42,900 |
| C | 19,000 |

WEIGHT, KG 0,420

MANUFACTURER [SKF](https://www.skf.com)

CALCULATION DATA

| | |
|------------------------------|------------|
| Basic dynamic load rating, C | 25,500 kN |
| Basic static load rating, Co | 15,300 kN |
| Fatigue load limit, Pu | 0,655 kN |
| Limiting speed | 3200 r/min |