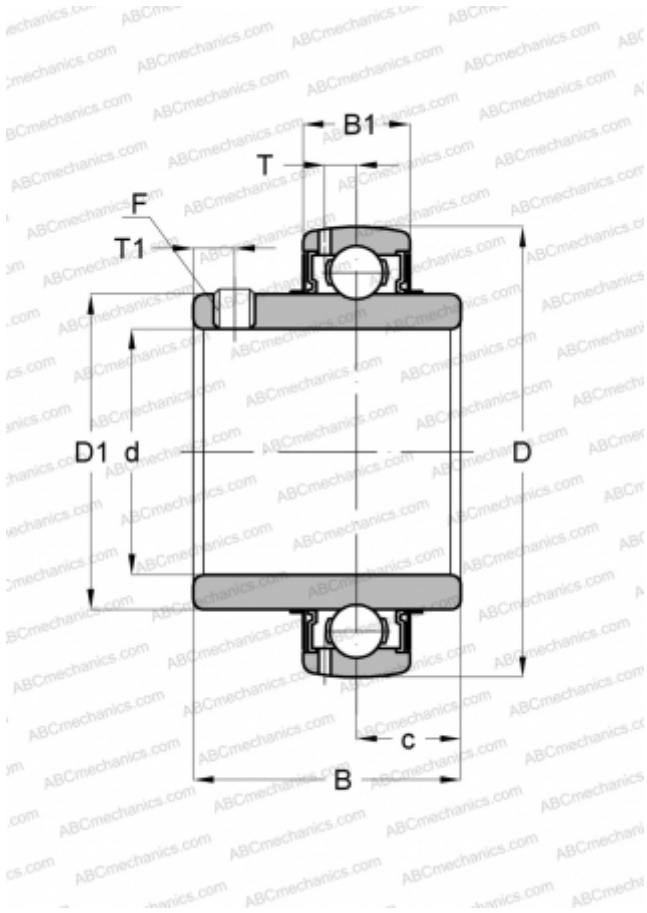


YAR 210-115-2F SKF

Insert bearings

TYPE: Ball bearings, Radial insert bearings, Grub screw to inner ring, Spherical outer ring, Series YAR, NBR contact seal and additional plain flinger on both sides, inch (SKF)



Technical specification

DIMENSIONS, MM

d	49,213
D	90,000
D1	62,500
B	51,600
C	22,000

WEIGHT, KG

0,780

MANUFACTURER

[SKF](#)

CALCULATION DATA

Basic dynamic load rating, C	35,100 kN
Basic static load rating, Co	23,200 kN
Fatigue load limit, Pu	0,980 kN
Limiting speed	4000 r/min