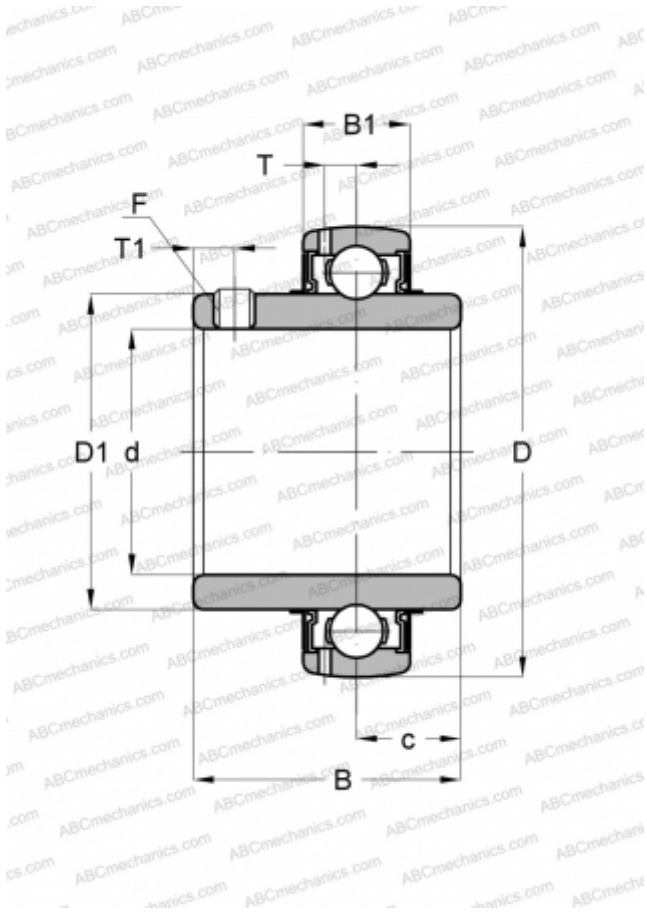


## YAR 212-204-2F SKF

Insert bearings

TYPE: Ball bearings, Radial insert bearings, Grub screw to inner ring, Spherical outer ring, Series YAR, NBR contact seal and additional plain flinger on both sides, inch (SKF)



### Technical specification

#### DIMENSIONS, MM

d	57,150
D	110,000
D1	75,600
B	65,100
C	26,000

#### WEIGHT, KG

1,600

#### MANUFACTURER

[SKF](#)

#### CALCULATION DATA

Basic dynamic load rating, C	52,700 kN
Basic static load rating, Co	36,000 kN
Fatigue load limit, Pu	1,530 kN
Limiting speed	3400 r/min