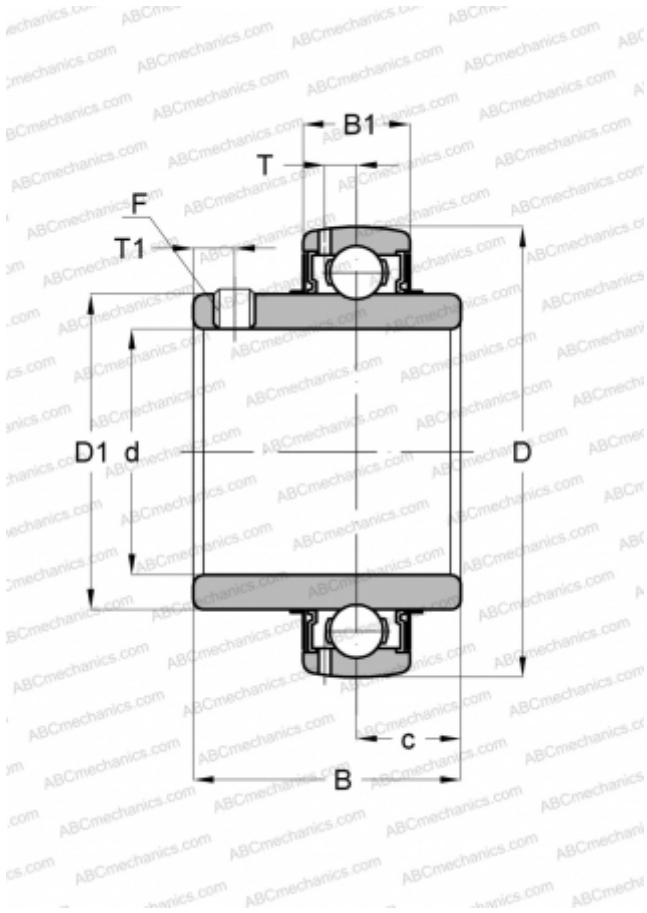


YAR 211-200-2RF SKF

Insert bearings

TYPE: Ball bearings, Radial insert bearings, Grub screw to inner ring, Spherical outer ring, Series YAR, NBR contact seal and additional rubberized flinger on both sides, inch (SKF)



Technical specification

DIMENSIONS, MM

| | |
|----|---------|
| d | 50,800 |
| D | 100,000 |
| D1 | 69,000 |
| B | 55,600 |
| C | 25,000 |

MANUFACTURER

[SKF](#)

CALCULATION DATA

| | |
|------------------------------|------------|
| Basic dynamic load rating, C | 43,600 kN |
| Basic static load rating, Co | 29,000 kN |
| Fatigue load limit, Pu | 1,250 kN |
| Limiting speed | 1900 r/min |