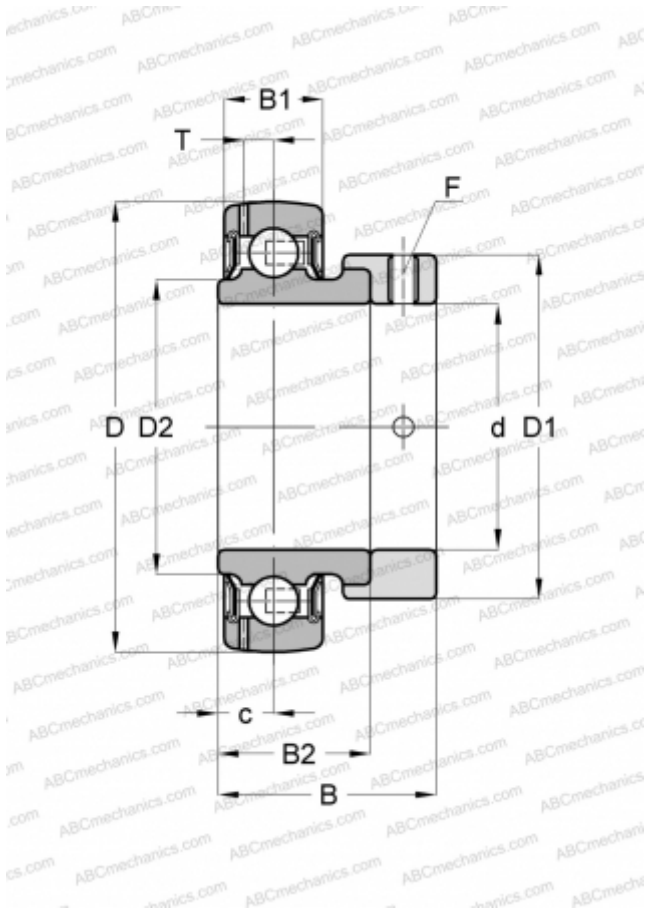


YET 203/15 SKF

Insert bearings

TYPE: Ball bearings, Radial insert bearings, With eccentric locking collar, Spherical outer ring, Series YET (SKF)



Technical specification

DIMENSIONS, MM

d	15,000
D	40,000
D1	27,200
D2	24,200
B	28,600
B1	12,000
B2	19,100

WEIGHT, KG

0,120

MANUFACTURER

[SKF](#)

CALCULATION DATA

Basic dynamic load rating, C	9,560 kN
Basic static load rating, Co	4,750 kN
Fatigue load limit, Pu	0,200 kN
Limiting speed	9500 r/min