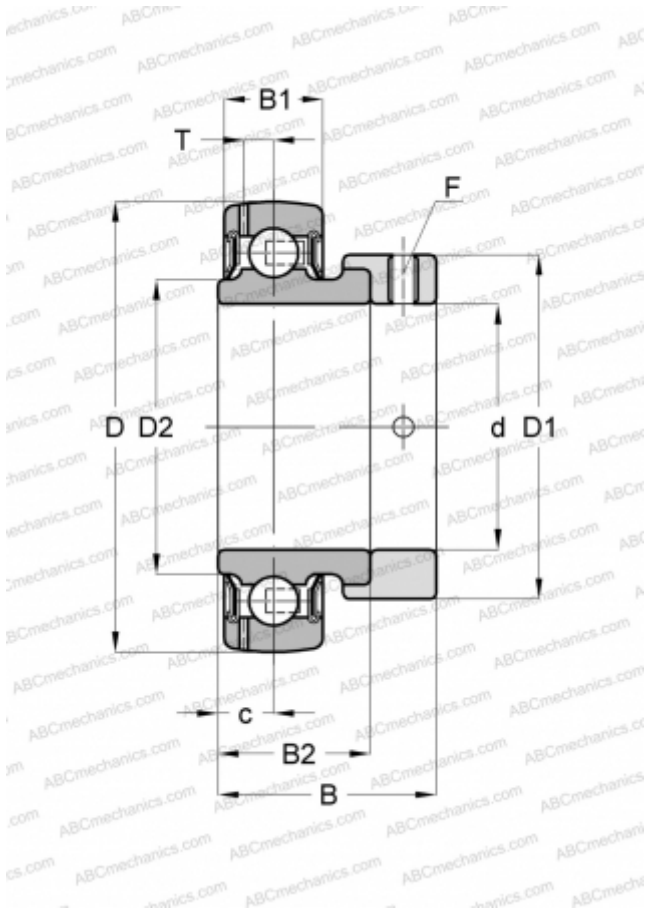


YET 203 SKF

Insert bearings

TYPE: Ball bearings, Radial insert bearings, With eccentric locking collar, Spherical outer ring, Series YET (SKF)



Technical specification

DIMENSIONS, MM

| | |
|------|--------|
| d | 17,000 |
| D | 40,000 |
| $D1$ | 27,200 |
| $D2$ | 24,200 |
| B | 28,600 |
| $B1$ | 12,000 |
| $B2$ | 19,100 |

WEIGHT, KG

0,100

MANUFACTURER

[SKF](#)

CALCULATION DATA

| | |
|---------------------------------|------------|
| Basic dynamic load rating, C | 9,560 kN |
| Basic static load rating, C_0 | 4,750 kN |
| Fatigue load limit, P_u | 0,200 kN |
| Limiting speed | 9500 r/min |