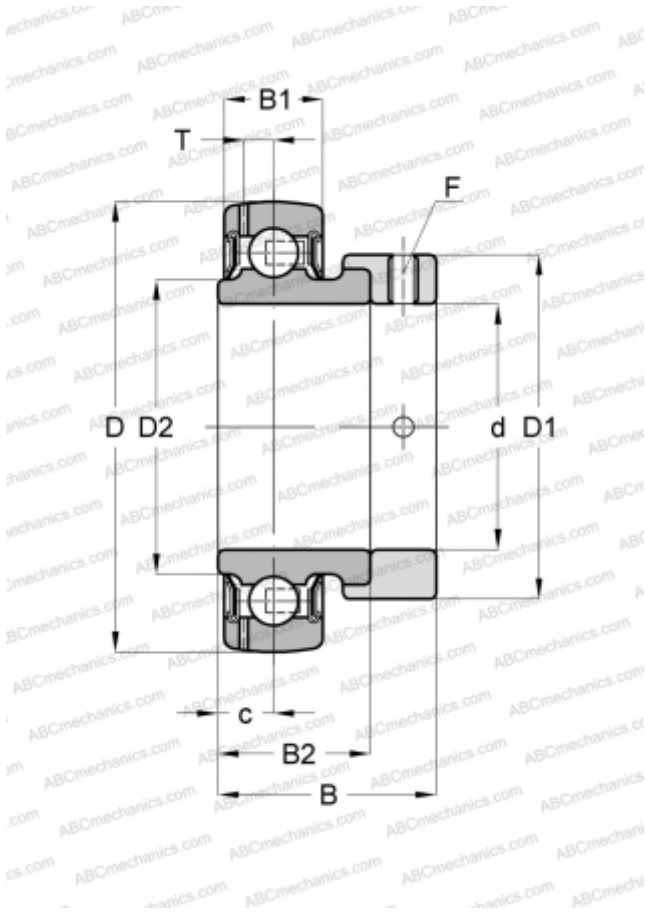


## YET 209 SKF

Insert bearings

TYPE: Ball bearings, Radial insert bearings, With eccentric locking collar, Spherical outer ring, Series YET (SKF)



### Technical specification

#### DIMENSIONS, MM

$d$	45,000
$D$	85,000
$D1$	62,000
$D2$	56,800
$B$	43,700
$B1$	22,000
$B2$	30,200

#### WEIGHT, KG

0,650

#### MANUFACTURER

[SKF](#)

#### CALCULATION DATA

Basic dynamic load rating, $C$	33,200 kN
Basic static load rating, $C_0$	21,600 kN
Fatigue load limit, $P_u$	0,915 kN
Limiting speed	4300 r/min