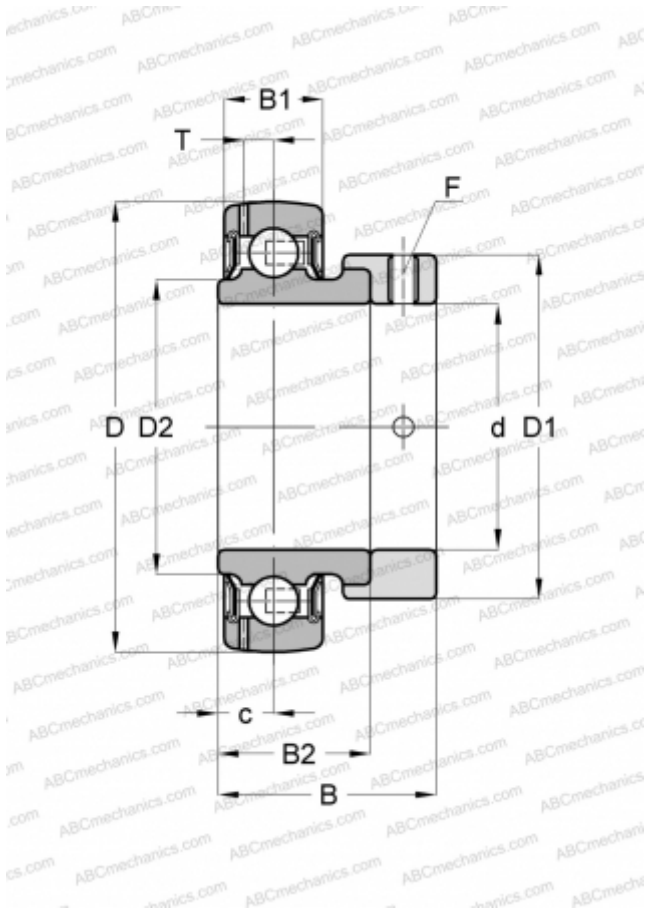


## YET 211 SKF

Insert bearings

TYPE: Ball bearings, Radial insert bearings, With eccentric locking collar, Spherical outer ring, Series YET (SKF)



### Technical specification

#### DIMENSIONS, MM

|    |         |
|----|---------|
| d  | 55,000  |
| D  | 100,000 |
| D1 | 74,500  |
| D2 | 69,000  |
| B  | 48,400  |
| B1 | 25,000  |
| B2 | 32,600  |

#### WEIGHT, KG

0,900

#### MANUFACTURER

[SKF](#)

#### CALCULATION DATA

|                              |            |
|------------------------------|------------|
| Basic dynamic load rating, C | 43,600 kN  |
| Basic static load rating, Co | 29,000 kN  |
| Fatigue load limit, Pu       | 1,250 kN   |
| Limiting speed               | 3600 r/min |