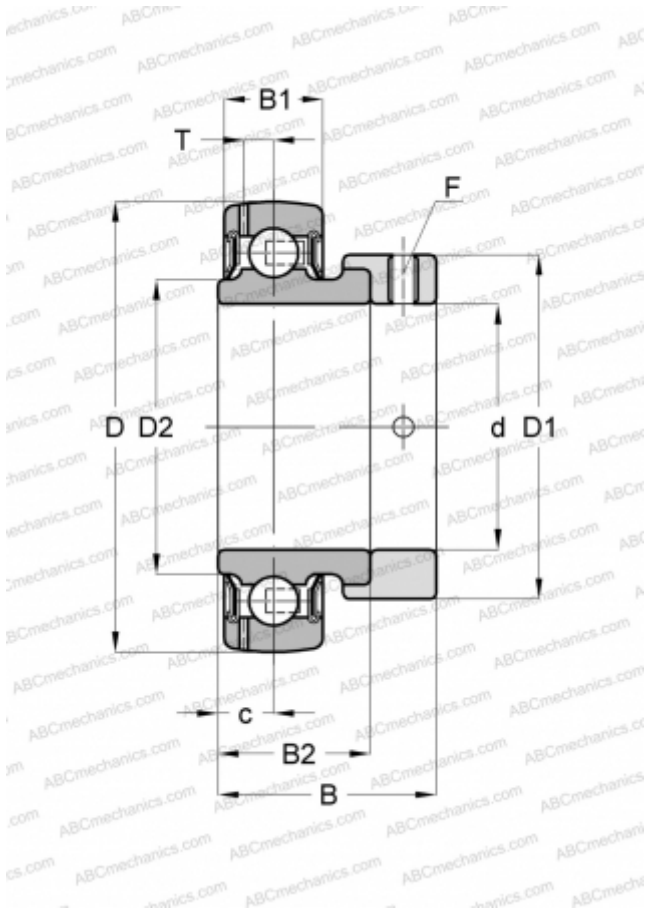


YET 207/VL065 SKF

Insert bearings

TYPE: Ball bearings, Radial insert bearings, With eccentric locking collar, Spherical outer ring, Series YET, zinc-coated inner ring bore and side faces (SKF)



Technical specification

DIMENSIONS, MM

| | |
|----|--------|
| d | 35,000 |
| D | 72,000 |
| D1 | 51,100 |
| D2 | 46,100 |
| B | 38,900 |
| B1 | 19,000 |
| B2 | 25,400 |

WEIGHT, KG

0,440

MANUFACTURER

[SKF](https://www.skf.com)

CALCULATION DATA

| | |
|------------------------------|------------|
| Basic dynamic load rating, C | 25,500 kN |
| Basic static load rating, Co | 15,300 kN |
| Fatigue load limit, Pu | 0,655 kN |
| Limiting speed | 5300 r/min |