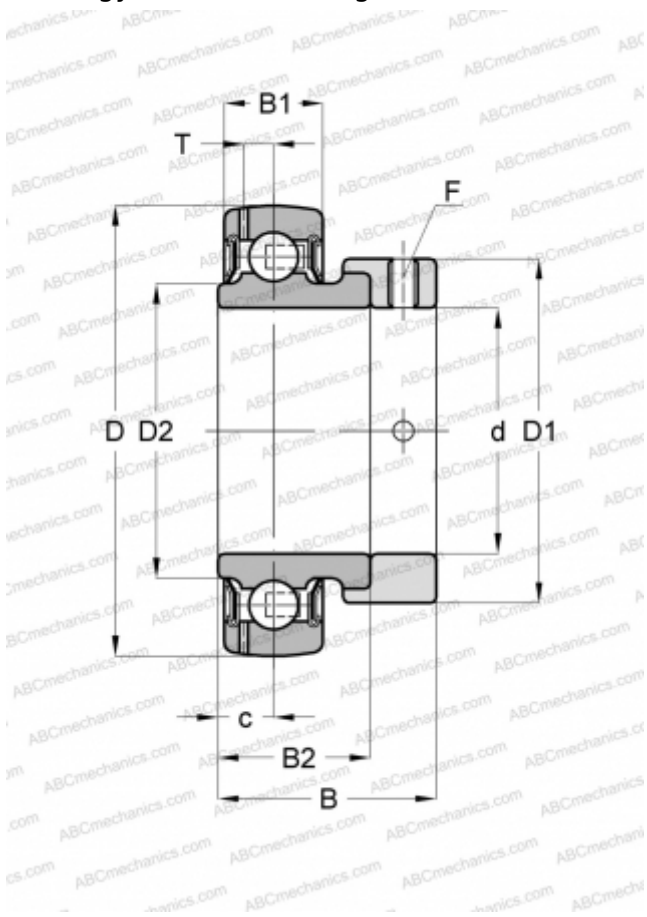


## E2.YET 207 SKF

Insert bearings

TYPE: Ball bearings, Radial insert bearings, With eccentric locking collar, Spherical outer ring, Series YET, Energy Efficient bearing (SKF)



### Technical specification

#### DIMENSIONS, MM

$d$	35,000
$D$	72,000
$D1$	51,100
$D2$	46,100
$B$	38,900
$B1$	19,000
$B2$	25,400

#### WEIGHT, KG

0,440

#### MANUFACTURER

[SKF](#)

#### CALCULATION DATA

Basic dynamic load rating, $C$	25,500 kN
Basic static load rating, $C_0$	15,300 kN
Fatigue load limit, $P_u$	0,655 kN
Limiting speed	5300 r/min