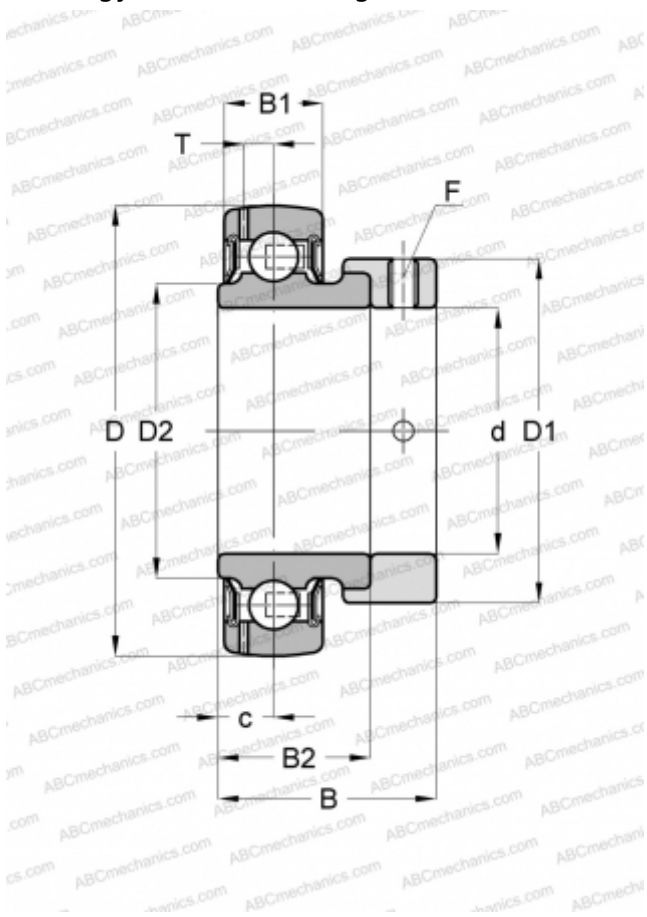


E2.YET 208 SKF

Insert bearings

TYPE: Ball bearings, Radial insert bearings, With eccentric locking collar, Spherical outer ring, Series YET, Energy Efficient bearing (SKF)



Technical specification

DIMENSIONS, MM

d	40,000
D	80,000
$D1$	56,500
$D2$	51,800
B	43,700
$B1$	21,000
$B2$	30,200

MANUFACTURER

[SKF](#)

CALCULATION DATA

Basic dynamic load rating, C	30,700 kN
Basic static load rating, C_0	19,000 kN
Fatigue load limit, P_u	0,800 kN
Limiting speed	4800 r/min