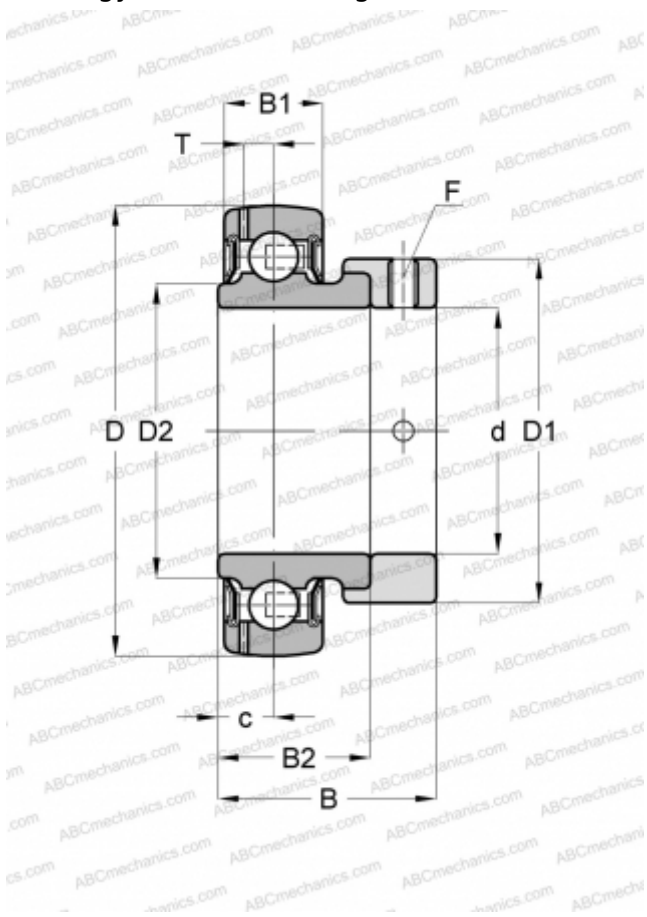


## E2.YET 209 SKF

Insert bearings

TYPE: Ball bearings, Radial insert bearings, With eccentric locking collar, Spherical outer ring, Series YET, Energy Efficient bearing (SKF)



### Technical specification

#### DIMENSIONS, MM

d	45,000
D	85,000
D1	62,000
D2	56,800
B	43,700
B1	22,000
B2	30,200

#### WEIGHT, KG

0,660

#### MANUFACTURER

[SKF](#)

#### CALCULATION DATA

Basic dynamic load rating, C	33,200 kN
Basic static load rating, Co	21,600 kN
Fatigue load limit, Pu	0,915 kN
Limiting speed	4300 r/min