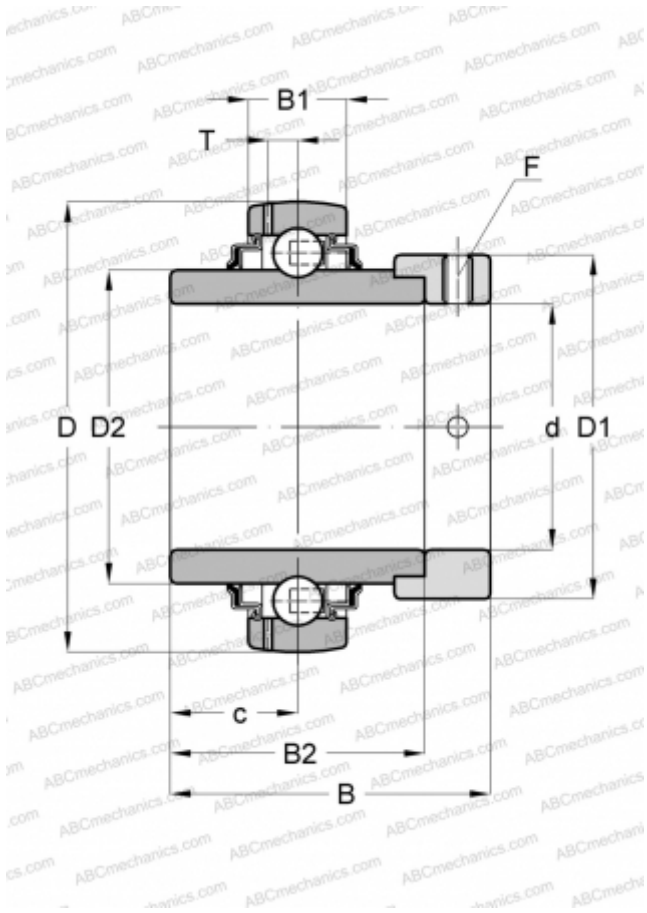


## YEL 204-2F SKF

Insert bearings

TYPE: Ball bearings, Radial insert bearings, With eccentric locking collar, Spherical outer ring, Series YEL (SKF)



### Technical specification

#### DIMENSIONS, MM

|    |        |
|----|--------|
| d  | 20,000 |
| D  | 47,000 |
| D1 | 32,400 |
| D2 | 28,200 |
| B  | 43,700 |
| B1 | 14,000 |
| B2 | 34,200 |

#### WEIGHT, KG

0,190

#### MANUFACTURER

[SKF](#)

#### CALCULATION DATA

|                              |            |
|------------------------------|------------|
| Basic dynamic load rating, C | 12,700 kN  |
| Basic static load rating, Co | 6,550 kN   |
| Fatigue load limit, Pu       | 0,280 kN   |
| Limiting speed               | 8500 r/min |