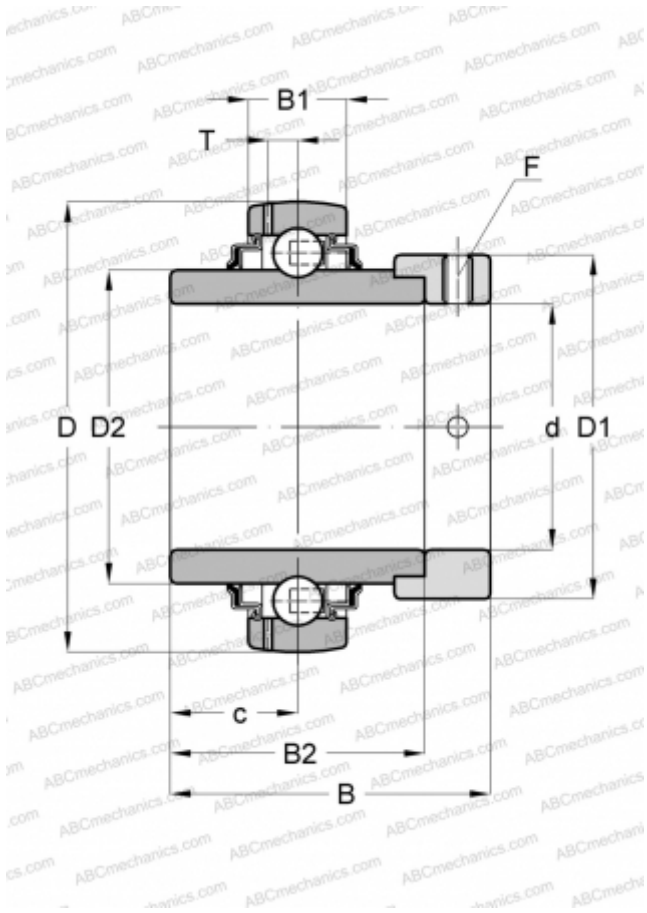


## YEL 211-2F SKF

Insert bearings

TYPE: Ball bearings, Radial insert bearings, With eccentric locking collar, Spherical outer ring, Series YEL (SKF)



### Technical specification

#### DIMENSIONS, MM

d	55,000
D	100,000
D1	74,500
D2	69,000
B	71,400
B1	25,000
B2	55,600

#### WEIGHT, KG

1,200

#### MANUFACTURER

[SKF](#)

#### CALCULATION DATA

Basic dynamic load rating, C	43,600 kN
Basic static load rating, Co	29,000 kN
Fatigue load limit, Pu	1,250 kN
Limiting speed	3600 r/min