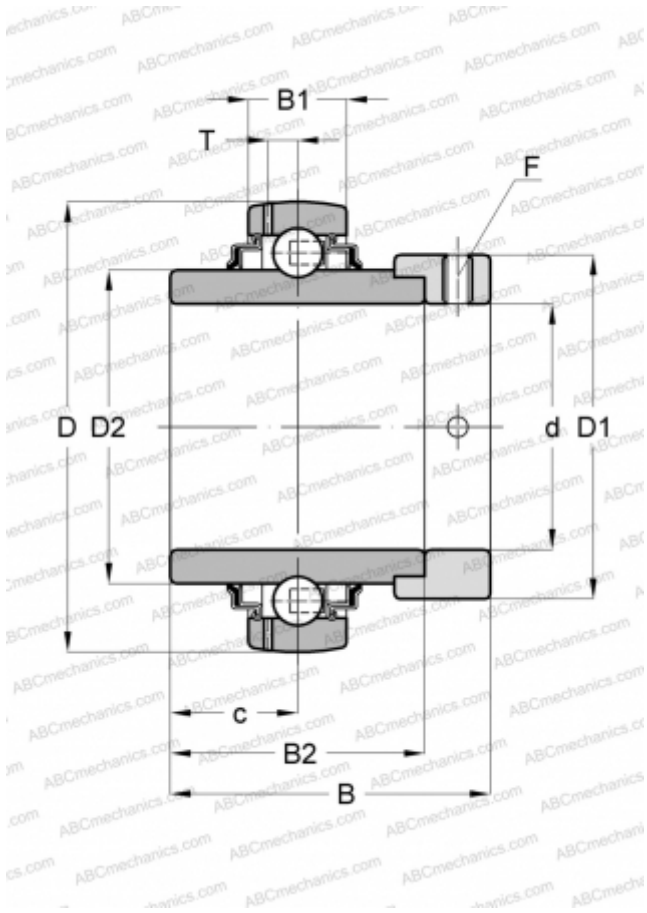


YEL 212-2F SKF

Insert bearings

TYPE: Ball bearings, Radial insert bearings, With eccentric locking collar, Spherical outer ring, Series YEL (SKF)



Technical specification

DIMENSIONS, MM

d	60,000
D	110,000
D1	82,000
D2	75,600
B	77,800
B1	26,000
B2	61,900

WEIGHT, KG

1,600

MANUFACTURER

[SKF](#)

CALCULATION DATA

Basic dynamic load rating, C	52,700 kN
Basic static load rating, Co	36,000 kN
Fatigue load limit, Pu	1,530 kN
Limiting speed	3400 r/min