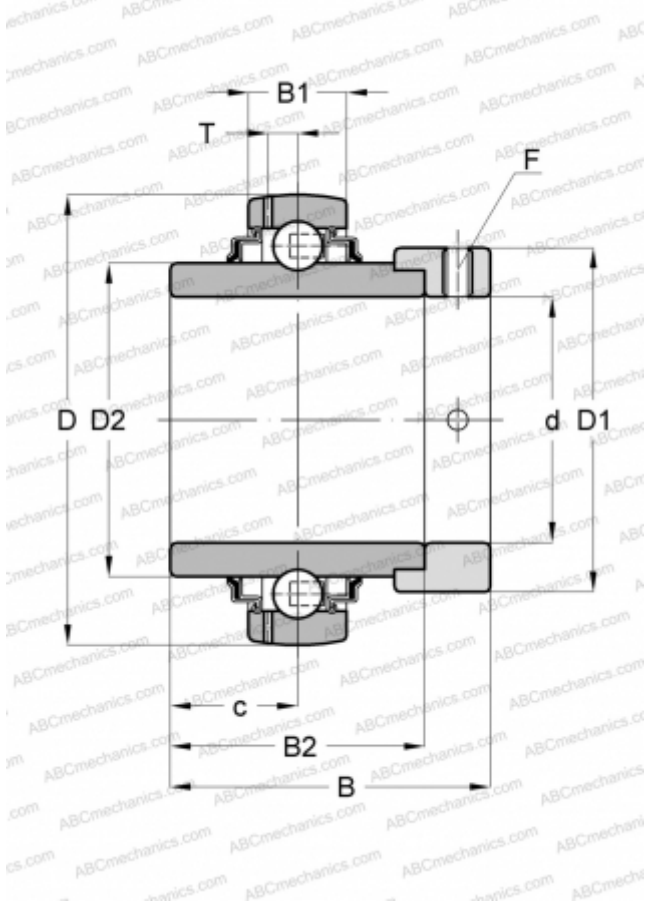


YELAG 206 SKF

Insert bearings

TYPE: Ball bearings, Radial insert bearings, With eccentric locking collar, Spherical outer ring, Series YELAG, for agricultural applications (SKF)



Technical specification

DIMENSIONS, MM

d	30,000
D	62,000
D1	44,100
D2	39,700
B	48,400
B1	18,000
B2	36,500

WEIGHT, KG

0,360

MANUFACTURER

[SKF](#)

CALCULATION DATA

Basic dynamic load rating, C	19,500 kN
Basic static load rating, Co	11,200 kN
Fatigue load limit, Pu	0,475 kN
Limiting speed	1200 r/min