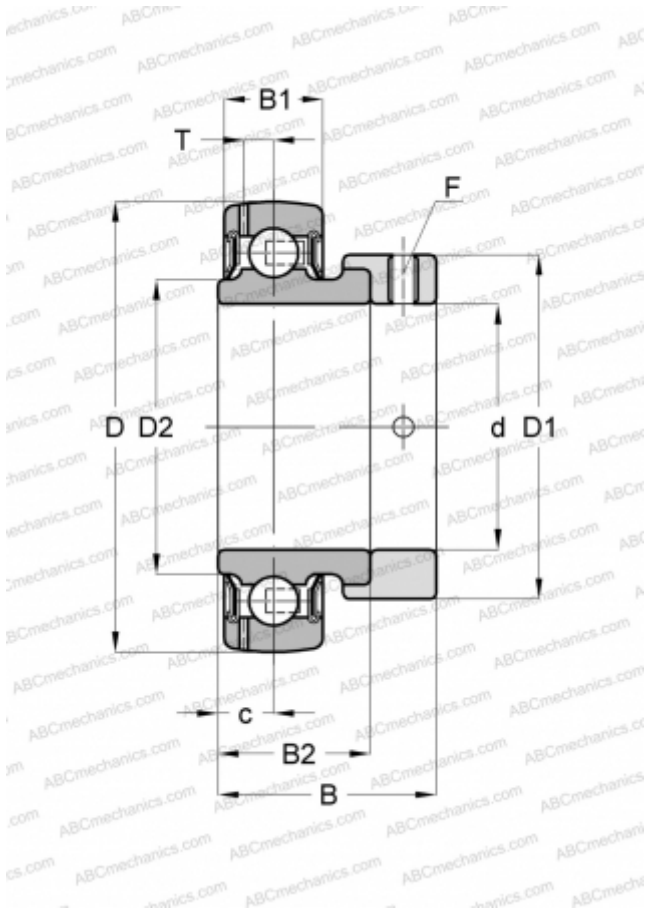


## YET 212-207 SKF

Insert bearings

TYPE: Ball bearings, Radial insert bearings, With eccentric locking collar, Spherical outer ring, Series YET, inch (SKF)



### Technical specification

#### DIMENSIONS, MM

d	61,913
D	110,000
D1	82,000
D2	75,600
B	53,100
B1	26,000
B2	37,200

#### WEIGHT, KG

1,200

#### MANUFACTURER

[SKF](#)

#### CALCULATION DATA

Basic dynamic load rating, C	52,700 kN
Basic static load rating, Co	36,000 kN
Fatigue load limit, Pu	1,530 kN
Limiting speed	3400 r/min