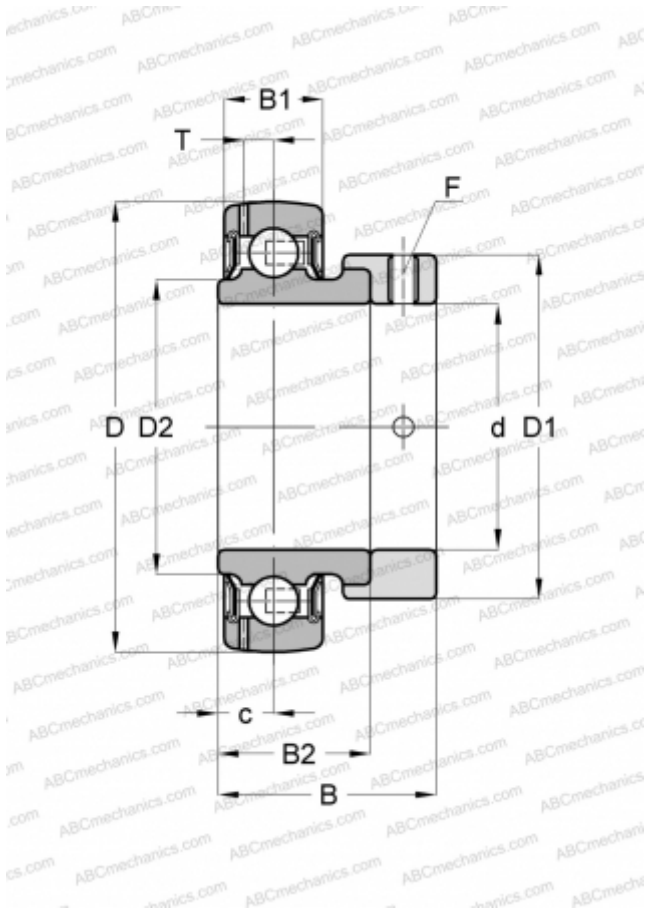


E2.YET 206-102 SKF

Insert bearings

TYPE: Ball bearings, Radial insert bearings, With eccentric locking collar, Spherical outer ring, Series YET, Energy Efficient bearing, inch (SKF)



Technical specification

DIMENSIONS, MM

d	28,575
D	62,000
D1	44,100
D2	39,700
B	35,700
B1	18,000
B2	23,800

WEIGHT, KG

0,320

MANUFACTURER

[SKF](#)

CALCULATION DATA

Basic dynamic load rating, C	19,500 kN
Basic static load rating, Co	11,200 kN
Fatigue load limit, Pu	0,475 kN
Limiting speed	6300 r/min