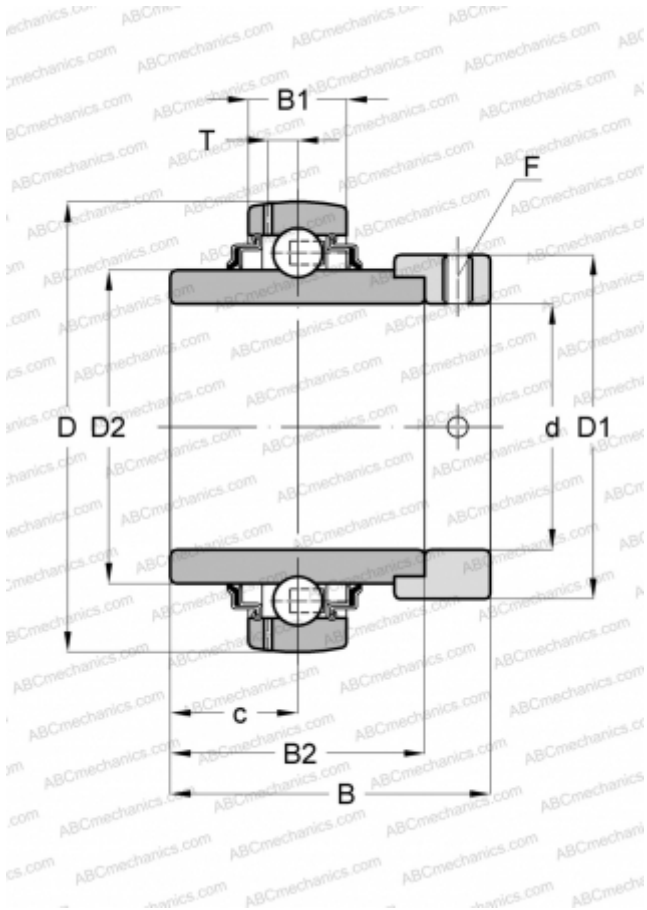


YELAG 207-104 SKF

Insert bearings

TYPE: Ball bearings, Radial insert bearings, With eccentric locking collar, Spherical outer ring, Series YELAG, for agricultural applications, inch (SKF)



Technical specification

DIMENSIONS, MM

d	31,750
D	72,000
D1	51,100
D2	46,100
B	51,100
B1	19,000
B2	37,600

WEIGHT, KG

0,590

MANUFACTURER

[SKF](https://www.skf.com)

CALCULATION DATA

Basic dynamic load rating, C	25,500 kN
Basic static load rating, Co	15,300 kN
Fatigue load limit, Pu	0,655 kN
Limiting speed	1100 r/min