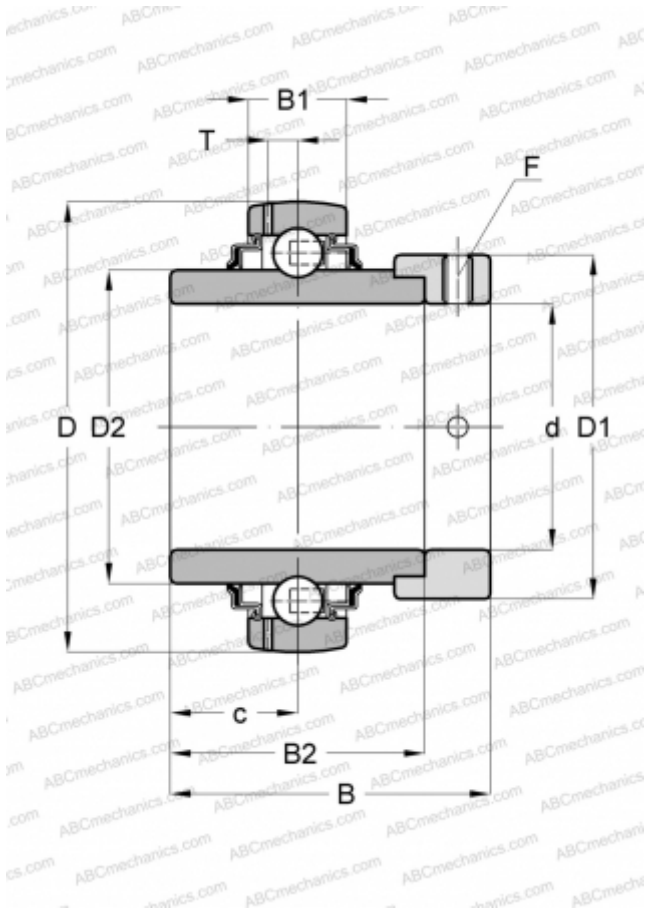


## YELAG 208-108 SKF

Insert bearings

TYPE: Ball bearings, Radial insert bearings, With eccentric locking collar, Spherical outer ring, Series YELAG, for agricultural applications, inch (SKF)



### Technical specification

#### DIMENSIONS, MM

d	38,100
D	80,000
D1	56,500
D2	51,800
B	56,300
B1	21,000
B2	42,800

#### WEIGHT, KG

0,770

#### MANUFACTURER

[SKF](#)

#### CALCULATION DATA

Basic dynamic load rating, C	30,700 kN
Basic static load rating, Co	19,000 kN
Fatigue load limit, Pu	0,800 kN
Limiting speed	950 r/min