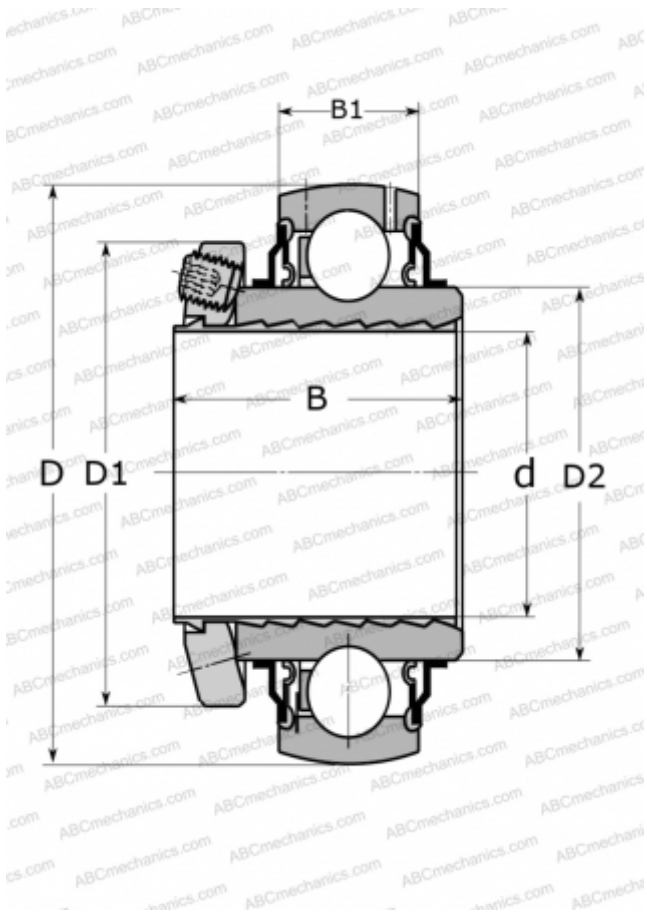


YSP 205 SB-2F SKF

Insert bearings

TYPE: Ball bearings, Radial insert bearings, Location by SKF ConCentra, Spherical outer ring, Series YSP (SKF)



Technical specification

DIMENSIONS, MM

d	25,000
D	52,000
$D1$	41,700
$D2$	33,700
B	33,000
$B1$	15,000

MANUFACTURER

[SKF](#)

CALCULATION DATA

Basic dynamic load rating, C	14,000 kN
Basic static load rating, C_0	7,800 kN
Fatigue load limit, P_u	0,335 kN
Limiting speed	7000 r/min