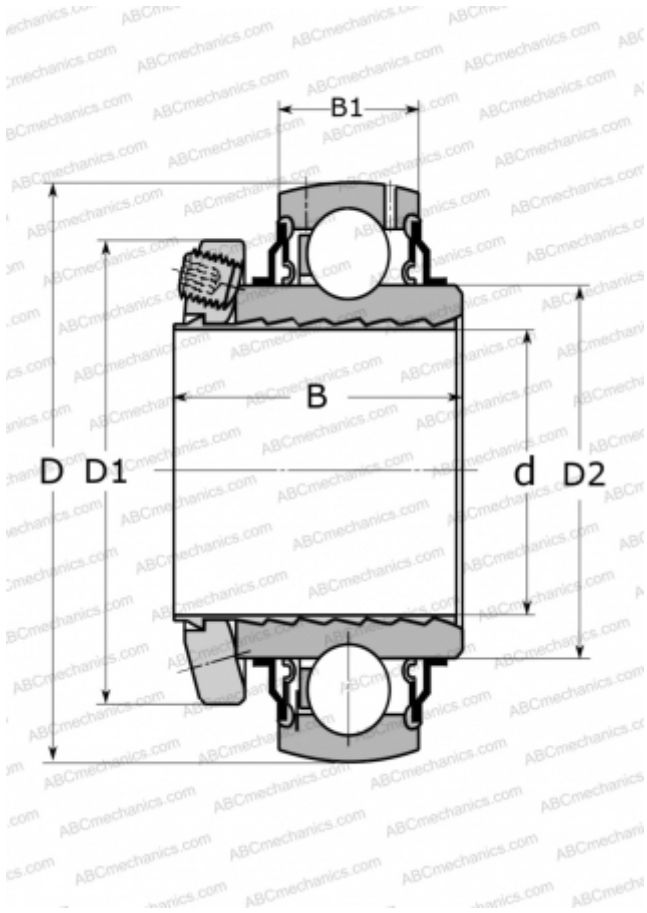


E2.YSP 206 SB-2F SKF

Insert bearings

TYPE: Ball bearings, Radial insert bearings, Location by SKF ConCentra, Spherical outer ring, Series YSP, Energy Efficient bearing (SKF)



Technical specification

DIMENSIONS, MM

d	30,000
D	62,000
$D1$	48,000
$D2$	39,700
B	37,000
$B1$	18,000

WEIGHT, KG

0,300

MANUFACTURER

[SKF](#)

CALCULATION DATA

Basic dynamic load rating, C	19,500 kN
Basic static load rating, C_0	11,200 kN
Fatigue load limit, P_u	0,475 kN
Limiting speed	6300 r/min