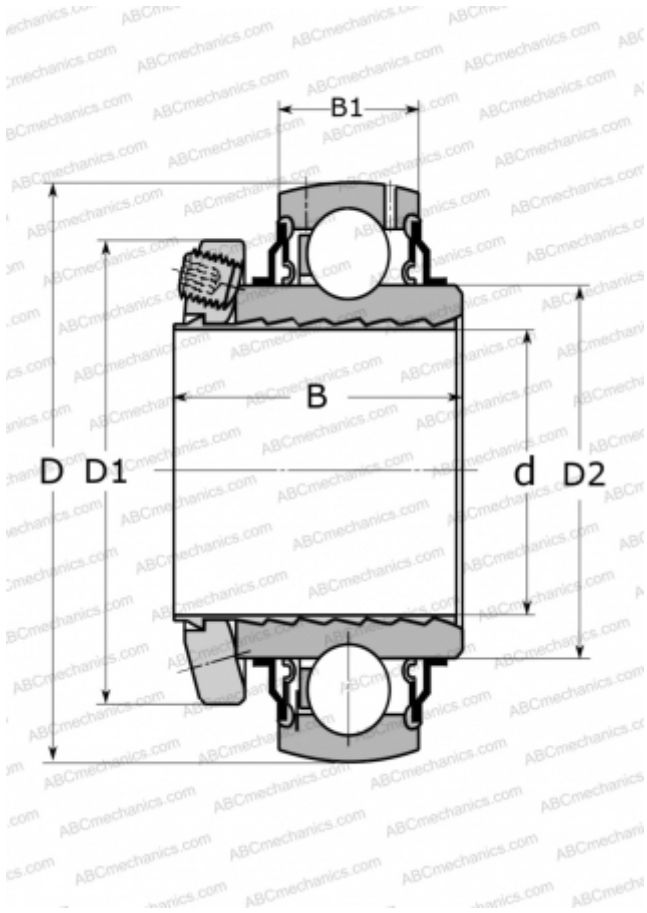


## E2.YSP 207 SB-2F SKF

Insert bearings

TYPE: Ball bearings, Radial insert bearings, Location by SKF ConCentra, Spherical outer ring, Series YSP, Energy Efficient bearing (SKF)



### Technical specification

#### DIMENSIONS, MM

|    |        |
|----|--------|
| d  | 35,000 |
| D  | 72,000 |
| D1 | 57,000 |
| D2 | 46,100 |
| B  | 39,500 |
| B1 | 19,000 |

#### WEIGHT, KG

0,440

#### MANUFACTURER

[SKF](#)

#### CALCULATION DATA

|                              |            |
|------------------------------|------------|
| Basic dynamic load rating, C | 25,500 kN  |
| Basic static load rating, Co | 15,300 kN  |
| Fatigue load limit, Pu       | 0,655 kN   |
| Limiting speed               | 5300 r/min |