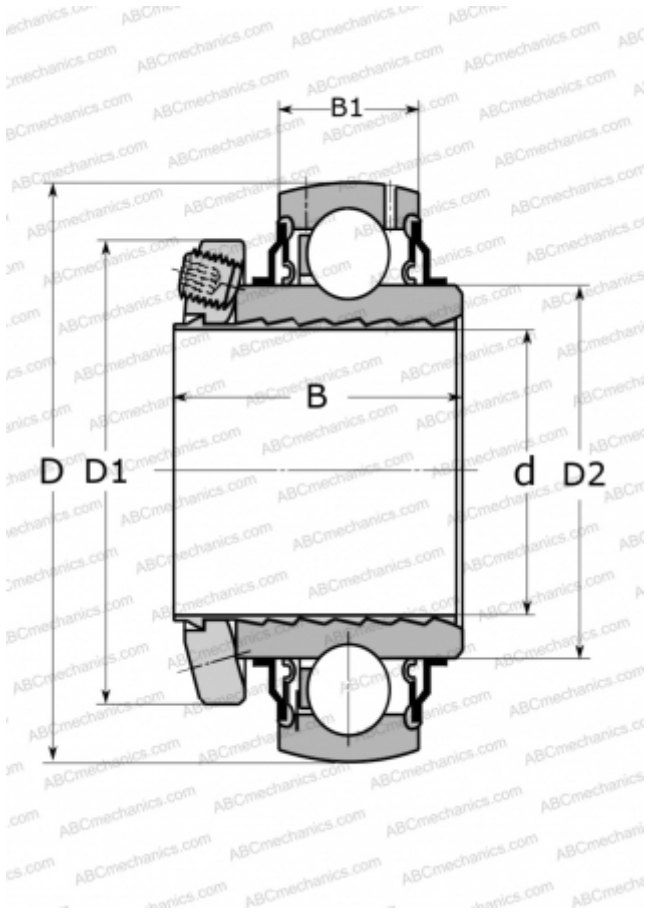


YSPAG 207 SKF

Insert bearings

TYPE: Ball bearings, Radial insert bearings, Location by SKF ConCentra, Spherical outer ring, Series YSPAG, for agricultural applications (SKF)



Technical specification

DIMENSIONS, MM

d	35,000
D	72,000
$D1$	57,000
$D2$	46,100
B	39,500
$B1$	19,000

WEIGHT, KG

0,440

MANUFACTURER

[SKF](#)

CALCULATION DATA

Basic dynamic load rating, C	25,500 kN
Basic static load rating, C_0	15,300 kN
Fatigue load limit, P_u	0,655 kN
Limiting speed	1100 r/min