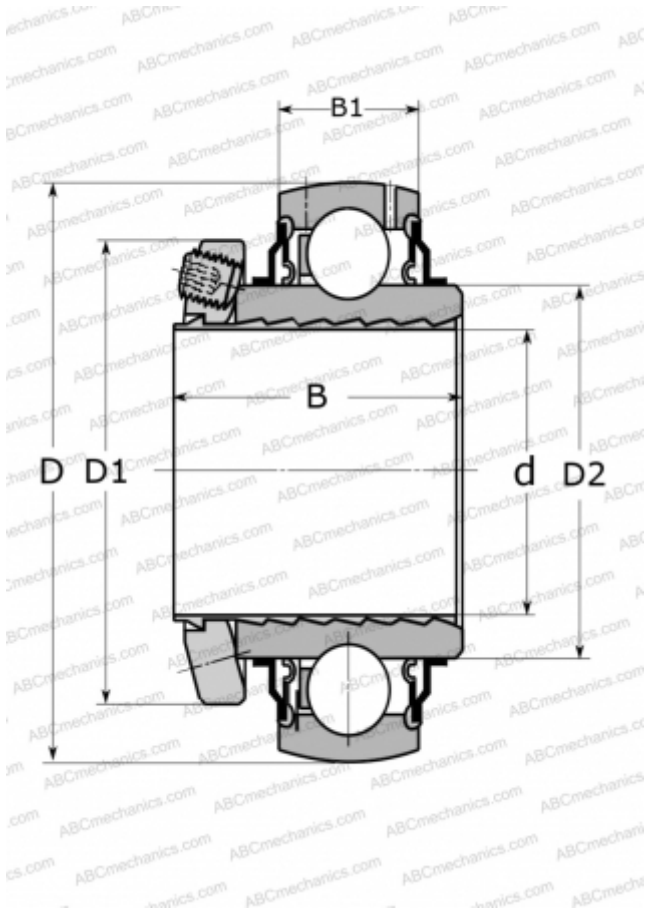


YSP 208-108 SB-2F SKF

Insert bearings

TYPE: Ball bearings, Radial insert bearings, Location by SKF ConCentra, Spherical outer ring, Series YSP, inch (SKF)



Technical specification

DIMENSIONS, MM

d	38,100
D	80,000
$D1$	62,000
$D2$	51,800
B	42,900
$B1$	21,000

WEIGHT, KG

0,590

MANUFACTURER

[SKF](#)

CALCULATION DATA

Basic dynamic load rating, C	30,700 kN
Basic static load rating, C_0	19,000 kN
Fatigue load limit, P_u	0,800 kN
Limiting speed	4800 r/min