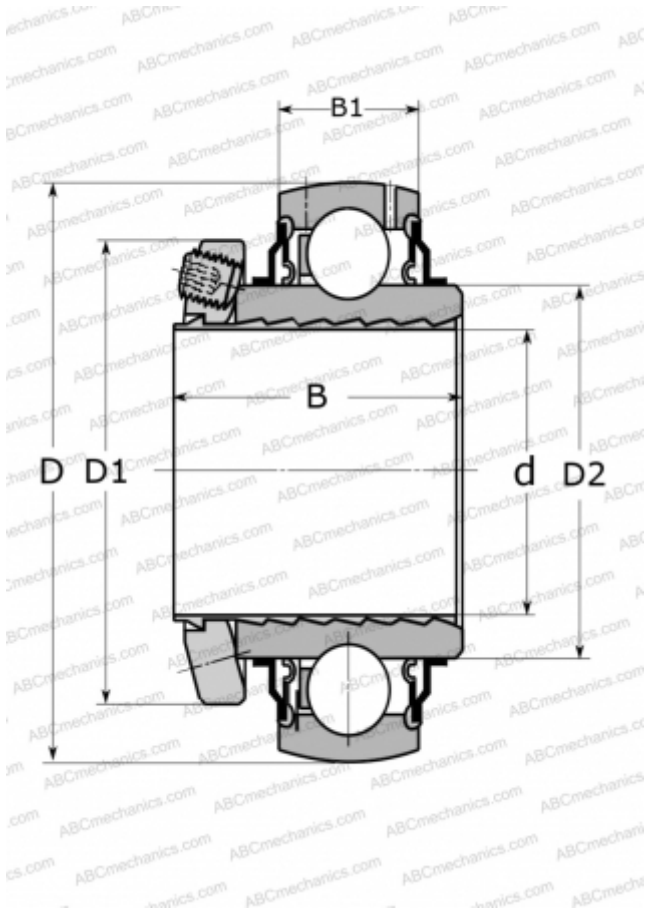


## YSP 210-115 SB-2F SKF

Insert bearings

TYPE: Ball bearings, Radial insert bearings, Location by SKF ConCentra, Spherical outer ring, Series YSP, inch (SKF)



### Technical specification

#### DIMENSIONS, MM

$d$	49,213
$D$	90,000
$D1$	72,000
$D2$	62,500
$B$	46,000
$B1$	22,000

#### WEIGHT, KG

0,750

#### MANUFACTURER

[SKF](#)

#### CALCULATION DATA

Basic dynamic load rating, $C$	35,100 kN
Basic static load rating, $C_0$	23,200 kN
Fatigue load limit, $P_u$	0,980 kN
Limiting speed	4000 r/min