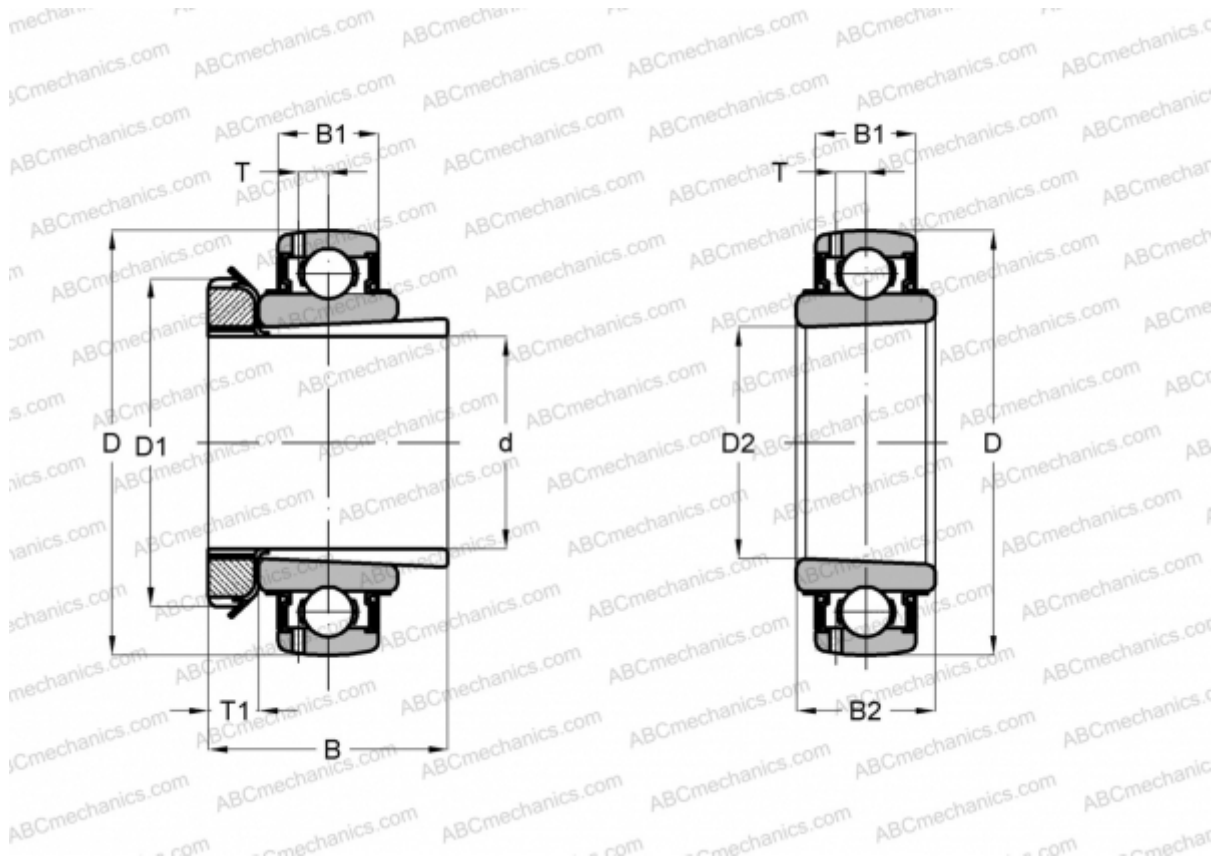


YSA 211-2FK SKF

Insert bearings

TYPE: Ball bearings, Radial insert bearings, With adapter sleeve, Spherical outer ring, Series YSA (SKF)



Technical specification

DIMENSIONS, MM

d	50,000
D	100,000
D1	75,000
B	59,000
B1	25,000
B2	40,000

WEIGHT, KG 1,100

MANUFACTURER [SKF](#)

CALCULATION DATA

Basic dynamic load rating, C	43,600 kN
Basic static load rating, Co	29,000 kN
Fatigue load limit, Pu	1,250 kN
Limiting speed	3600 r/min

ASSOCIATED PRODUCTS

H 2311