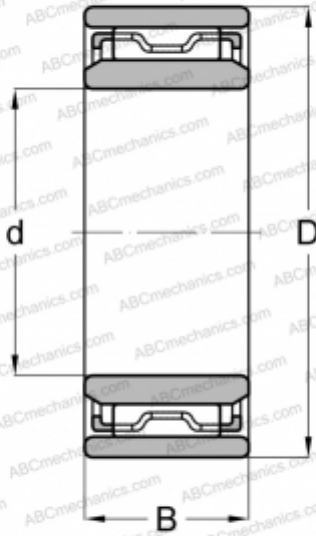


NAO 6x17x10 TN SKF

Needle roller bearings

TYPE: Roller bearings, Needle, Single row, With machined rings without flanges, with an inner ring, Metric



Technical specification

DIMENSIONS, MM

d	6,000
D	17,000
B	10,000

WEIGHT, KG

0,014

MANUFACTURER

[SKF](#)

INTERCHANGE

ABC	NAO 6x17x10
FAG	NAO 6x17x10(NAF 6x17x10)
INA	NAO 6x17x10

CALCULATION DATA

Basic dynamic load rating, C	4,570 kN
Basic static load rating, Co	5,700 kN
Fatigue load limit, Pu	0,630 kN
Reference speed	28000 r/min
Limiting speed	32000 r/min

REPLACES

NAF 6x17x10