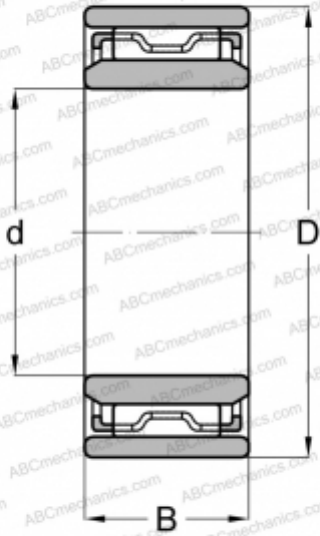


NAO 8x19x10(NAF 8x19x10) FAG

Needle roller bearings

TYPE: Roller bearings, Needle, Single row, With machined rings without flanges, with an inner ring, Metric



Technical specification

DIMENSIONS, MM

d	8,000
D	19,000
B	10,000

WEIGHT, KG

0,018

MANUFACTURER

[FAG](#)

INTERCHANGE

ABC	NAO 8x19x10
INA	NAO 8x19x10