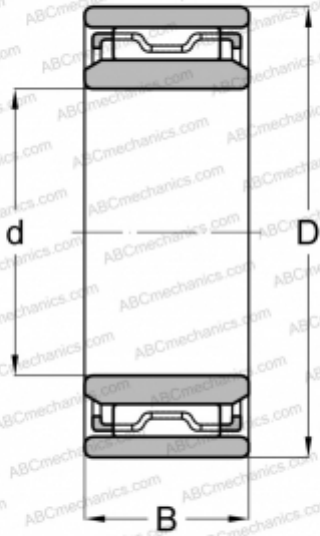


NAO 20x35x17 INA

Needle roller bearings

TYPE: Roller bearings, Needle, Single row, With machined rings without flanges, with an inner ring, Metric



Technical specification

DIMENSIONS, MM

d	20,000
D	35,000
B	17,000

WEIGHT, KG

0,073

MANUFACTURER

[INA](#)

INTERCHANGE

ABC	NAO 20x35x17
FAG	NAO 20x35x17(NAF 20x35x17)
SKF	NAO 20x35x17