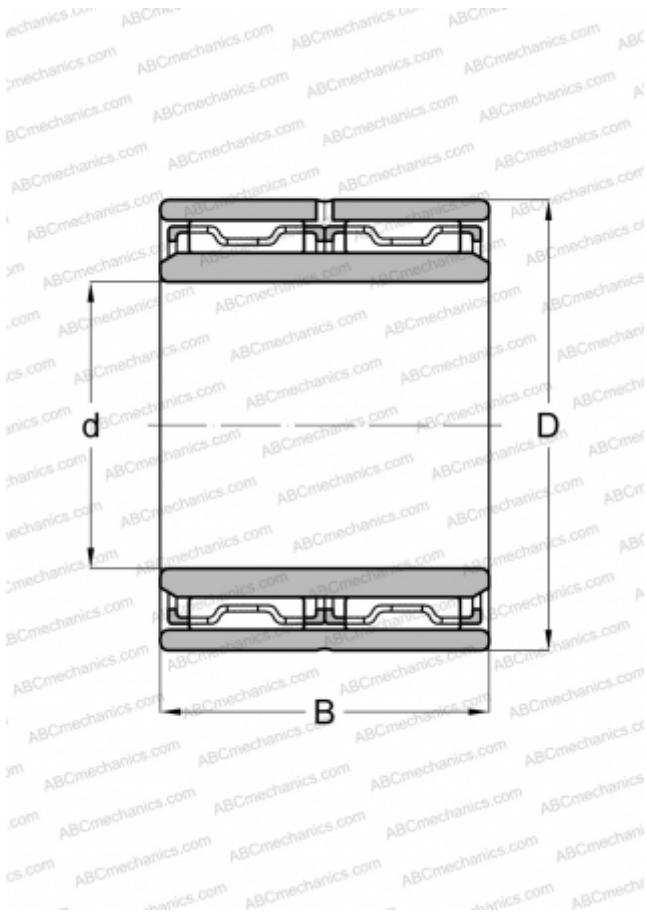


NAO 65x95x60 INA

Needle roller bearings

TYPE: Roller bearings, Needle, Double row, With machined rings without flanges, with an inner ring, Metric



Technical specification

DIMENSIONS, MM

d	65,000
D	95,000
B	60,000

WEIGHT, KG

1,501

MANUFACTURER

[INA](#)

INTERCHANGE

ABC	NAO 65x95x60
FAG	NAO 65x95x60(NAF 65x95x60)