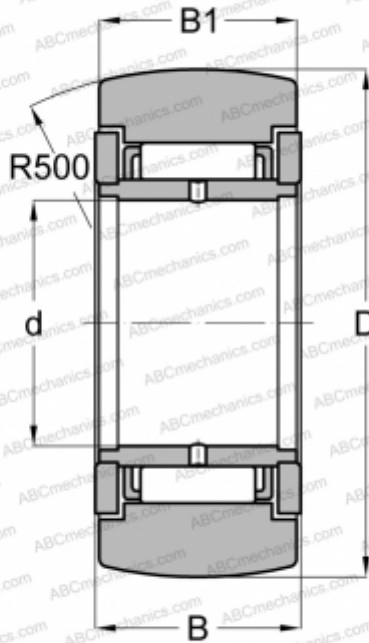


STO 10 2Z(NAST 10 2Z) FAG

Yoke type track roller

TYPE: Roller bearings, Yoke type track rollers, Without axial guidance, Outer ring without ribs, shields 2Z, With an inner ring



Technical specification

DIMENSIONS, MM

d	10,000
D	30,000
B	16,000
B1	15,800

WEIGHT, KG

0,073

MANUFACTURER

[FAG](#)

INTERCHANGE

ABC	STO 10 ZZ
SKF	NAST 10 2Z
TORRINGTON	STO 10 ZZ
IKO	NAST 10 ZZR