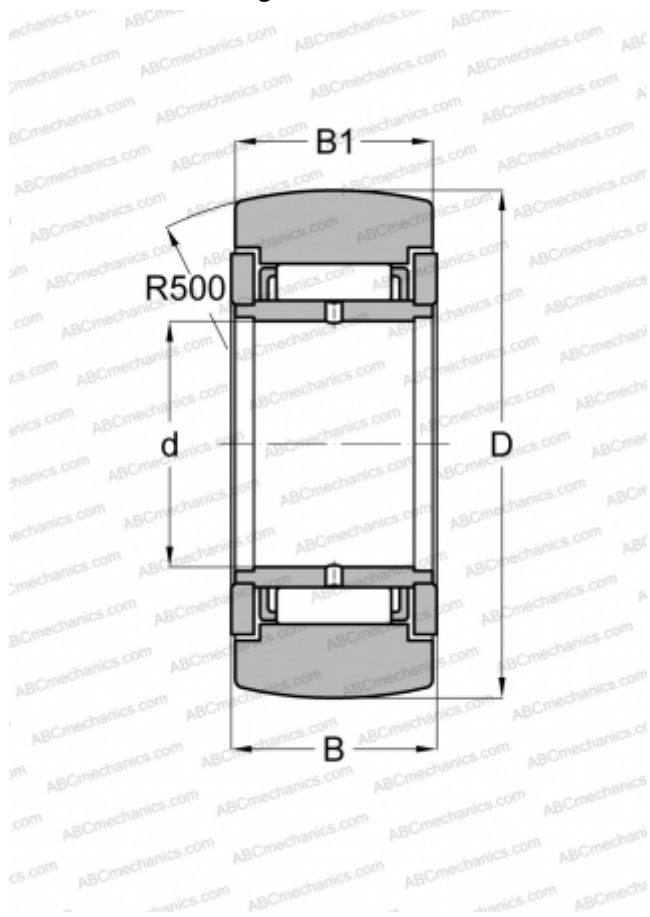


STO 17 ZZ ABC

Yoke type track roller

TYPE: Roller bearings, Yoke type track rollers, Without axial guidance, Outer ring without ribs, shields 2Z, With an inner ring



Technical specification

DIMENSIONS, MM

d	17,000
D	40,000
B	20,000
B1	19,800

WEIGHT, KG

0,145

MANUFACTURER

[ABC](#)

INTERCHANGE

FAG	STO 17 2Z(NAST 17 2Z)
SKF	NAST 17 2Z
TORRINGTON	STO 17 ZZ
IKO	NAST 17 ZZR