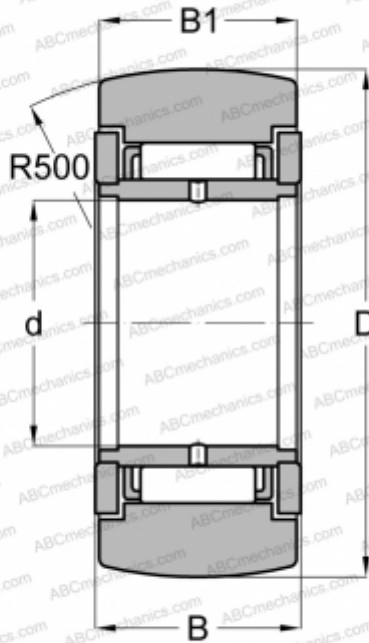


STO 17 ZZ TORRINGTON

Yoke type track roller

TYPE: Roller bearings, Yoke type track rollers, Without axial guidance, Outer ring without ribs, shields 2Z, With an inner ring



Technical specification

DIMENSIONS, MM

d	17,000
D	40,000
B	20,000
B1	19,800

WEIGHT, KG

0,145

MANUFACTURER

[TORRINGTON](#)

INTERCHANGE

ABC	STO 17 ZZ
FAG	STO 17 ZZ(NAST 17 ZZ)
SKF	NAST 17 ZZ
IKO	NAST 17 ZZR