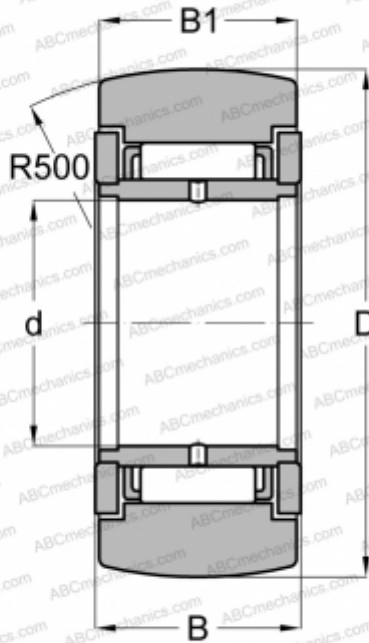


STO 20 ZZ TORRINGTON

Yoke type track roller

TYPE: Roller bearings, Yoke type track rollers, Without axial guidance, Outer ring without ribs, shields 2Z, With an inner ring



Technical specification

DIMENSIONS, MM

d	20,000
D	47,000
B	20,000
B1	19,800

WEIGHT, KG

0,204

MANUFACTURER

[TORRINGTON](#)

INTERCHANGE

ABC	STO 20 ZZ
FAG	STO 20 2Z(NAST 20 2Z)
SKF	NAST 20 2Z
IKO	NAST 20 ZZR