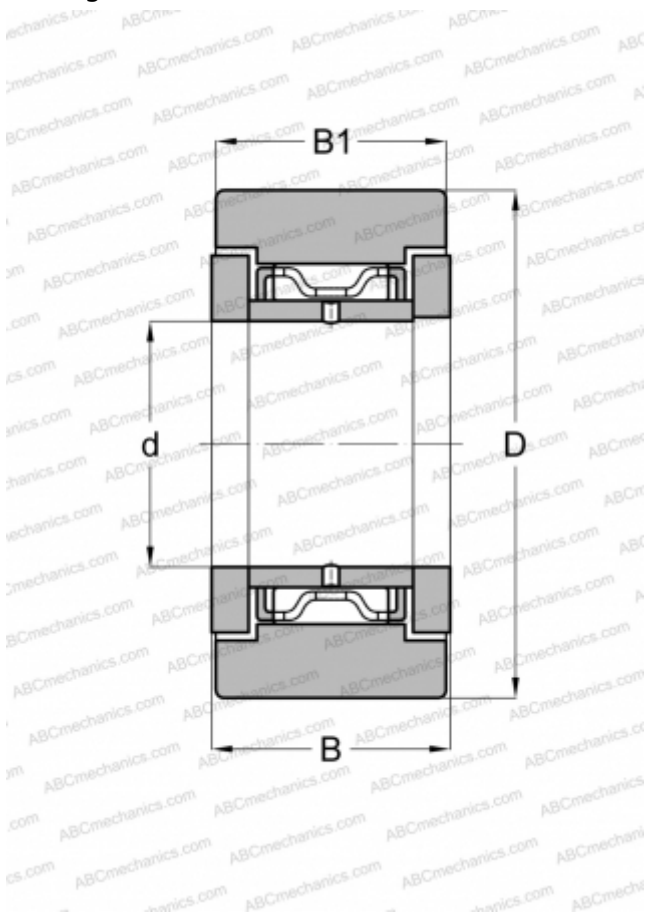


## NATR 5 X SKF

Yoke type track roller

TYPE: Roller bearings, Yoke type track rollers, With axial guidance, Gap seals on both side, cylindrical outer ring



### Technical specification

#### DIMENSIONS, MM

d	5,000
D	16,000
B	12,000
B1	11,000

#### WEIGHT, KG

0,014

#### MANUFACTURER

[SKF](#)

#### INTERCHANGE

ABC	<a href="#">NATR 5 X</a>
FAG	<a href="#">NATR 5 DZ/ NATD 5 DZ</a>
INA	<a href="#">NATR 5 X</a>
McGill	<a href="#">MCYRR 5 SX</a>

#### CALCULATION DATA

Basic dynamic load rating, C	3,140 kN
Basic static load rating, Co	3,200 kN
Fatigue load limit, Pu	0,345 kN
Limiting speed	6000 r/min