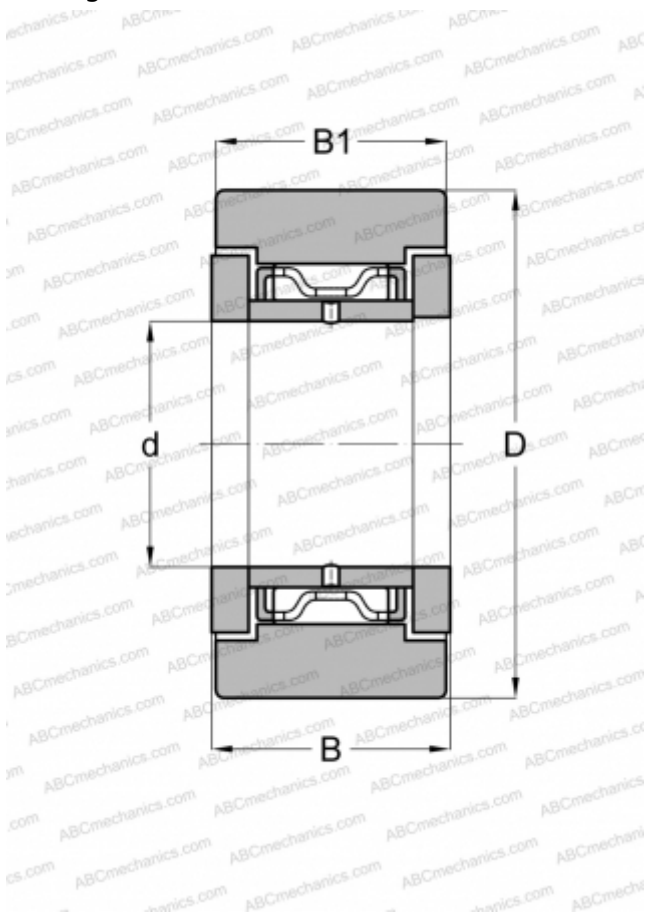


## NATR 6 X ABC

Yoke type track roller

TYPE: Roller bearings, Yoke type track rollers, With axial guidance, Gap seals on both side, cylindrical outer ring



### Technical specification

#### DIMENSIONS, MM

d	6,000
D	19,000
B	12,000
B1	11,000

#### WEIGHT, KG

0,023

#### MANUFACTURER

[ABC](#)

#### INTERCHANGE

FAG	<a href="#">NATR 6 DZ/ NATD 6 DZ</a>
INA	<a href="#">NATR 6 X</a>
McGill	<a href="#">MCYRR 6 SX</a>
SKF	<a href="#">NATR 6 X</a>