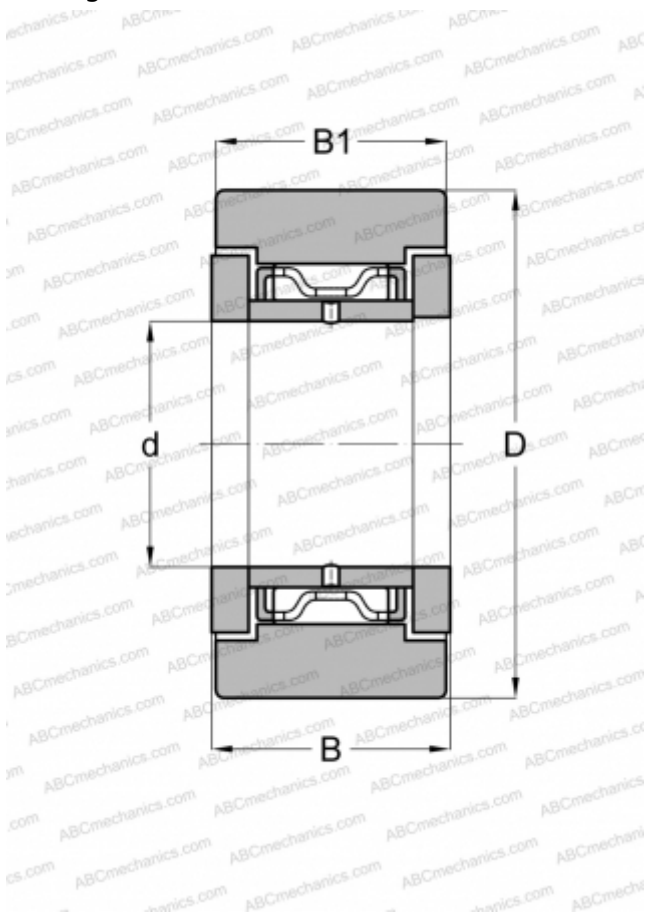


NATR 6 X INA

Yoke type track roller

TYPE: Roller bearings, Yoke type track rollers, With axial guidance, Gap seals on both side, cylindrical outer ring



Technical specification

DIMENSIONS, MM

| | |
|----|--------|
| d | 6,000 |
| D | 19,000 |
| B | 12,000 |
| B1 | 11,000 |

WEIGHT, KG

0,023

MANUFACTURER

[INA](#)

INTERCHANGE

| | |
|--------|--------------------------------------|
| ABC | NATR 6 X |
| FAG | NATR 6 DZ/ NATD 6 DZ |
| McGill | MCYRR 6 SX |
| SKF | NATR 6 X |