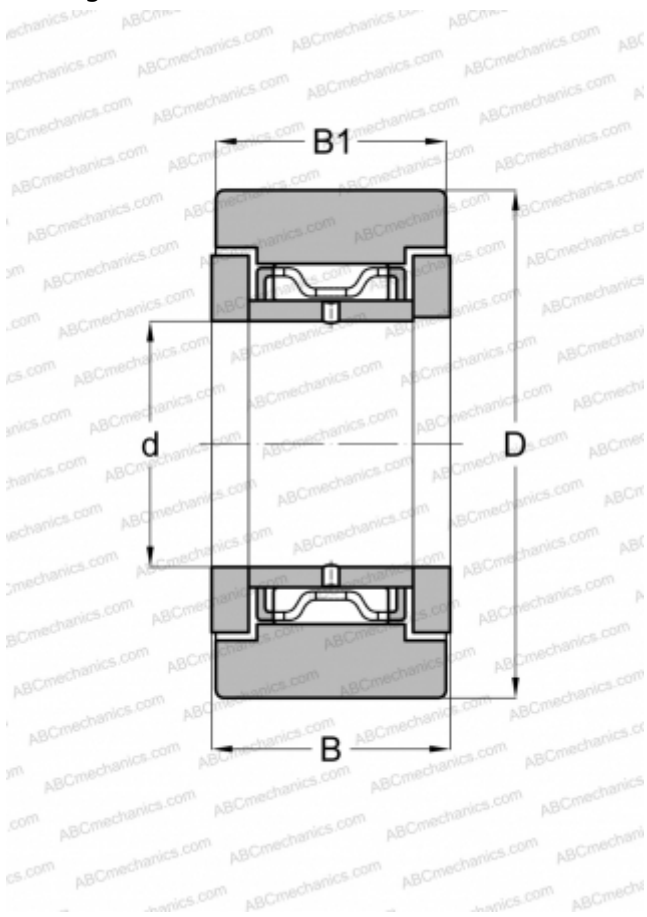


## NATR 10 DZ/ NATD 10 DZ FAG

Yoke type track roller

TYPE: Roller bearings, Yoke type track rollers, With axial guidance, Gap seals on both side, cylindrical outer ring



### Technical specification

#### DIMENSIONS, MM

d	10,000
D	30,000
B	15,000
B1	14,000

#### WEIGHT, KG

0,068

#### MANUFACTURER

[FAG](#)

#### INTERCHANGE

ABC	<a href="#">NATR 10 X</a>
INA	<a href="#">NATR 10 X</a>
McGill	<a href="#">MCYRR 10 SX</a>
SKF	<a href="#">NATR 10 X</a>