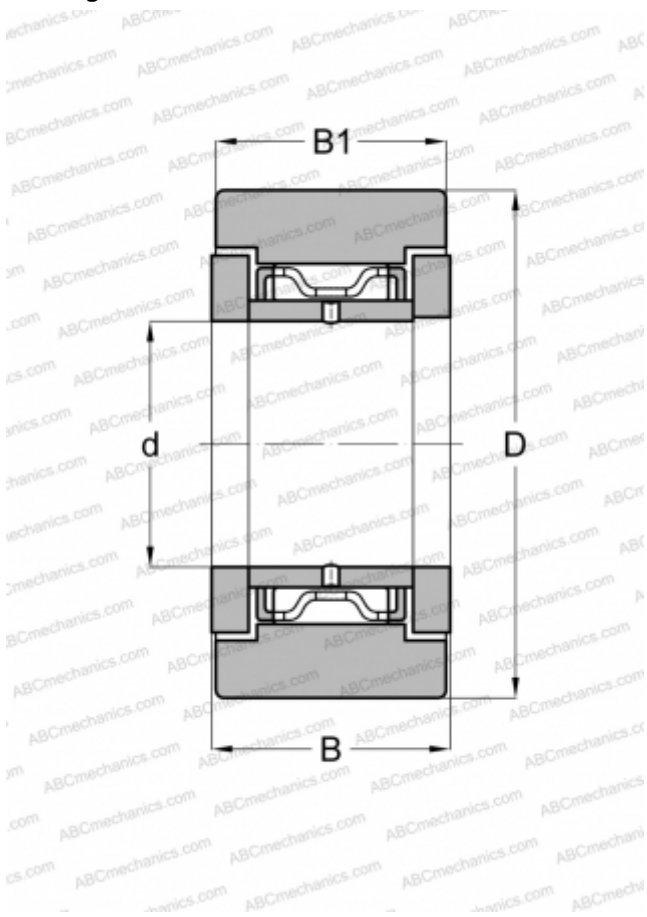


NATR 10 X SKF

Yoke type track roller

TYPE: Roller bearings, Yoke type track rollers, With axial guidance, Gap seals on both side, cylindrical outer ring



Technical specification

DIMENSIONS, MM

d	10,000
D	30,000
B	15,000
B1	14,000

WEIGHT, KG

0,064

MANUFACTURER

[SKF](#)

INTERCHANGE

ABC	NATR 10 X
FAG	NATR 10 DZ/ NATD 10 DZ
INA	NATR 10 X
McGill	MCYRR 10 SX

CALCULATION DATA

Basic dynamic load rating, C	6,440 kN
Basic static load rating, Co	8,000 kN
Fatigue load limit, Pu	0,880 kN
Limiting speed	4800 r/min