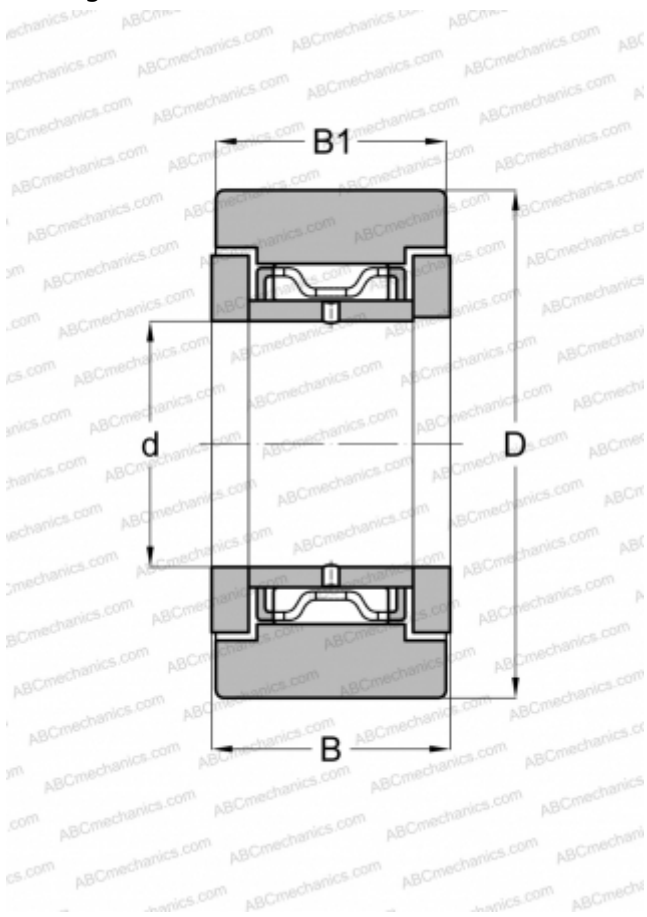


NATR 15 X INA

Yoke type track roller

TYPE: Roller bearings, Yoke type track rollers, With axial guidance, Gap seals on both side, cylindrical outer ring



Technical specification

DIMENSIONS, MM

d	15,000
D	35,000
B	19,000
B1	18,000

WEIGHT, KG

0,095

MANUFACTURER

[INA](#)

INTERCHANGE

ABC	NATR 15 X
SKF	NATR 15 X